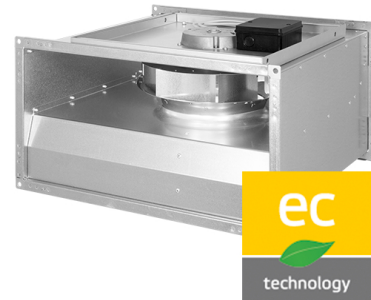
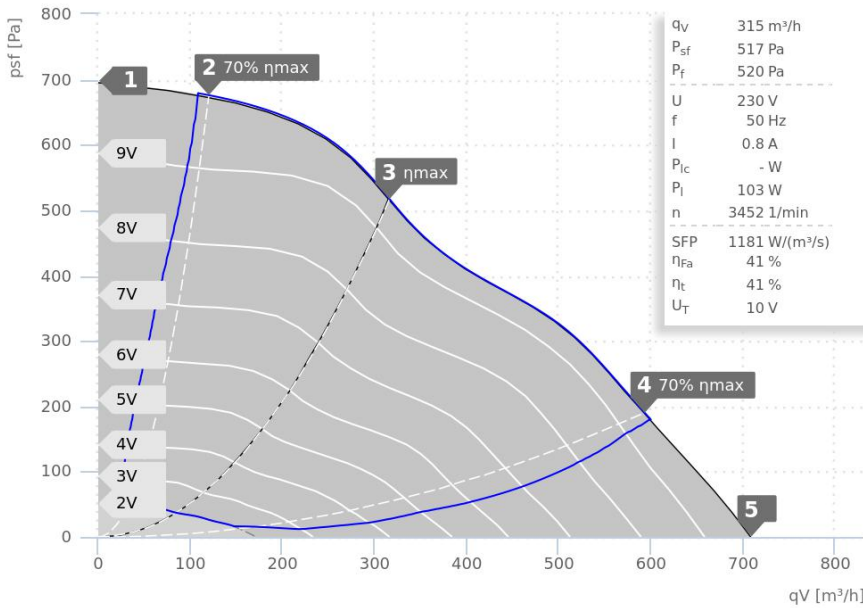


DATA SHEET

KVR 3015 EC 30 | 131337



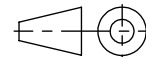
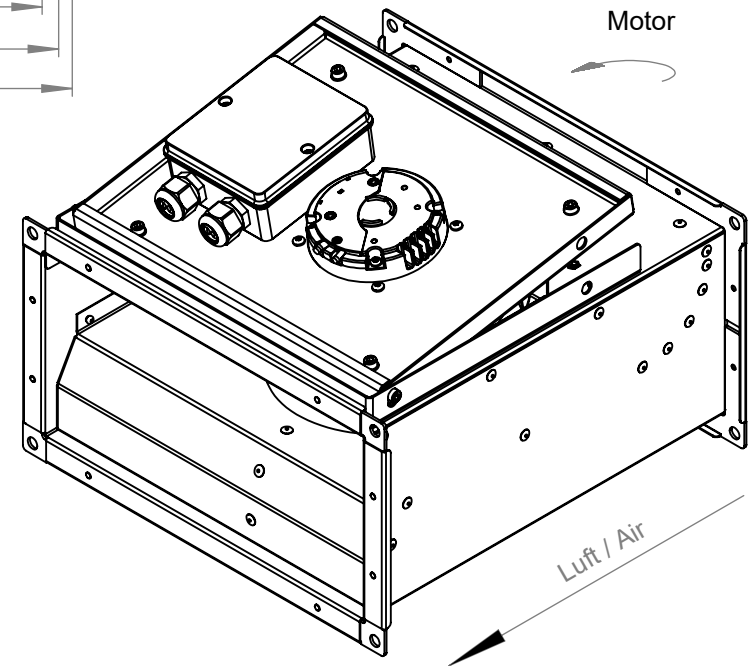
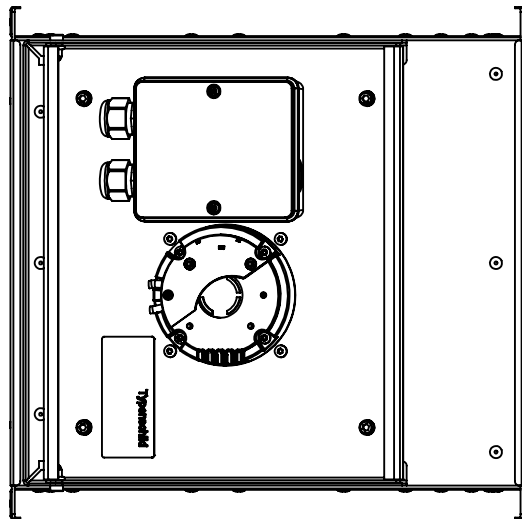
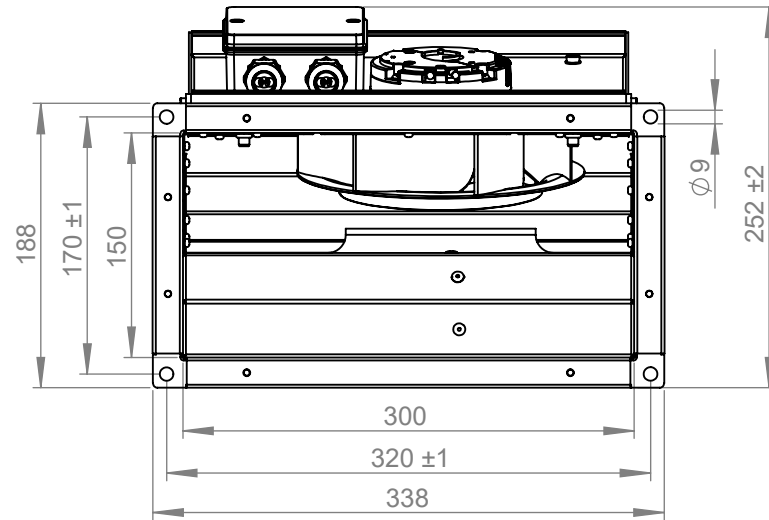
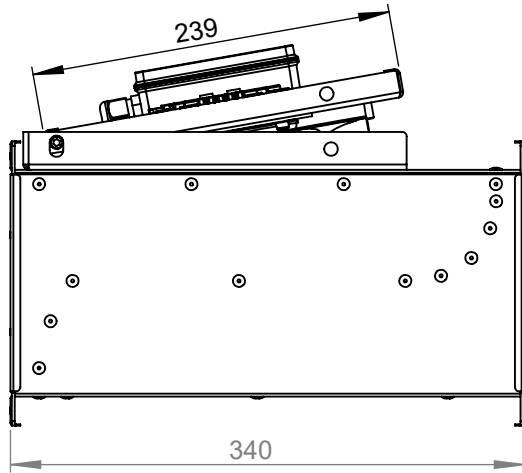
- Backward curved centrifugal fan
- Galvanized metal housing
- Integrated electronic
- EC motor

— ErP compliant range

Operating Point		1	2	3	4	5
Current I	A	0,5	0,7	0,8	0,8	0,7
Power consumption P_1	W	56	77	104	102	94
Rotation speed n	1/min	3618	3617	3456	3470	3569
SWL inlet L_{WA5}	dB(A)	74	75	76	78	80
SWL outlet L_{WA6}	dB(A)	78	78	77	81	83
SWL housing break out L_{WA2}	dB(A)	64	65	67	69	70

Sound power (L_W) dB(A)		Medium Frequency Band								
		Σ	63	125	250	500	1k	2k	4k	8k
Inlet	L_{WA5}	75	37	52	69	73	65	65	62	56
Outlet	L_{WA6}	77	37	50	70	72	71	70	66	58
Housing radiation	L_{WA2}	67	45	49	56	66	52	50	49	44

KVR 3015 EC 30 131337	
Voltage U_N	230 V 1~
Current I_{max}	0,9 A
Ambient temperature t_A	60 °C
Conveyed medium temperature t_M	60 °C
Speed Control	0-10V
Motor protection	TEC
Insulation class motor	F
Weight	6,3 kg
Number of poles	-
IP motor	IP54
IP terminal box	IP44
IP complete unit	IPX4
Min. operating temperature	-30 °C



1:20 A4 mm

ruck^{EU}
VENTILATOREN

ruck Ventilatoren
Max-Planck-Str. 5
D-97944 Boxberg

Protection Mark
according to ISO16016

Drawn: d.ursu
Created: d.ursu
Changed: d.ursu

General tolerances
DIN ISO 2768-c

03.12.2014
03.12.2014
03.12.14

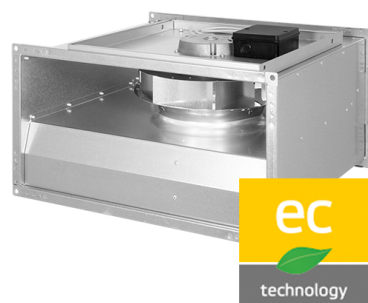
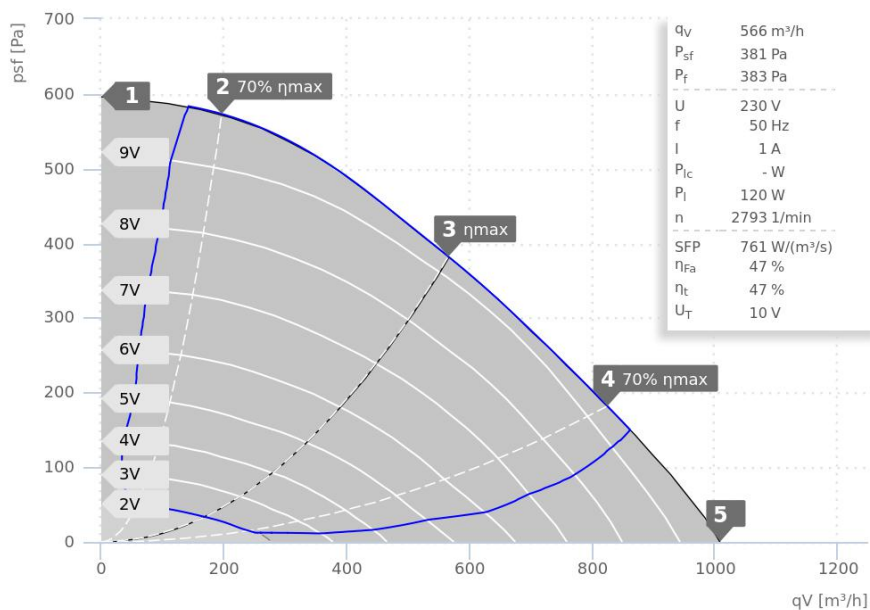
KVR03015EC30

131337 00

VENTAS
VENTILATORER

DATA SHEET

KVR 4020 EC 30 | 132049



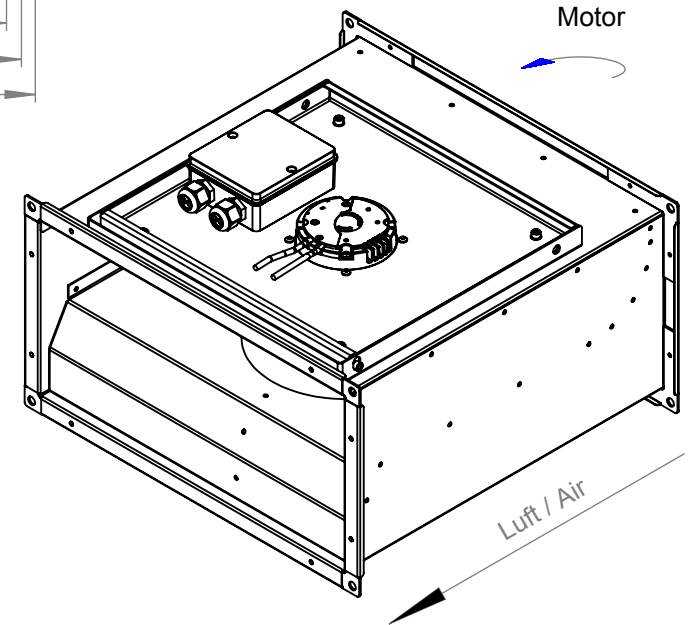
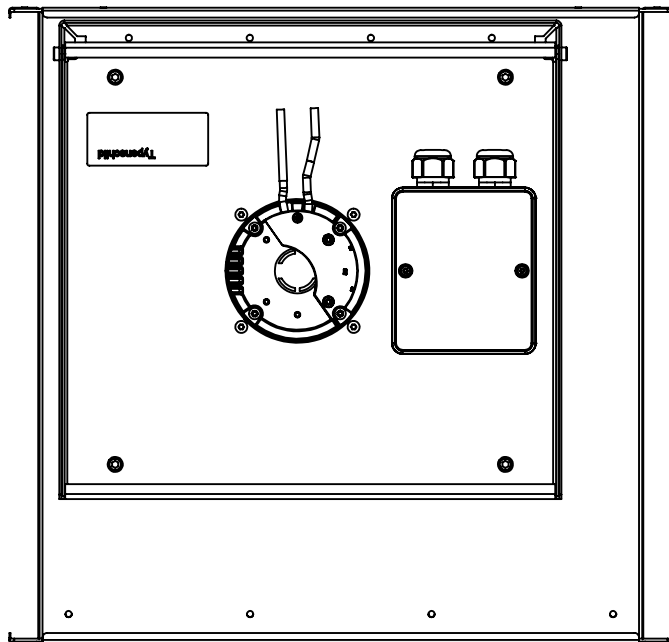
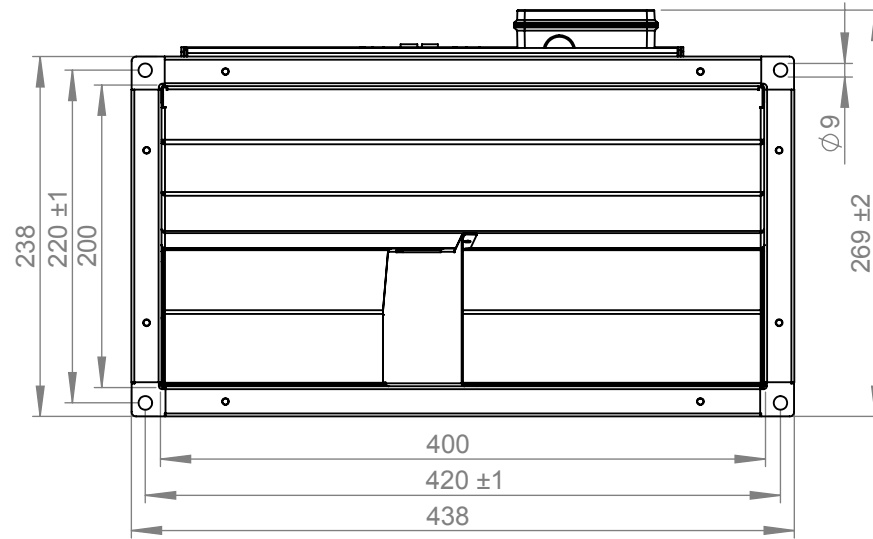
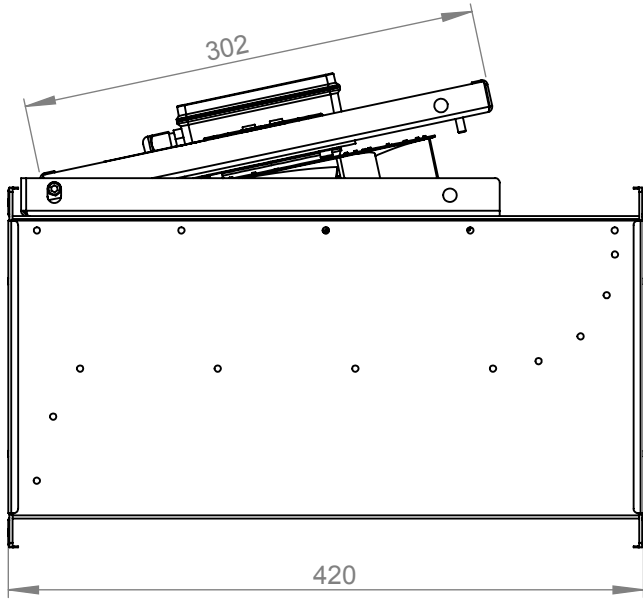
- Backward curved centrifugal fan
- Galvanized metal housing
- Integrated electronic
- EC motor

— ErP compliant range

Operating Point		1	2	3	4	5
Current I	A	0,5	0,8	1,0	0,9	0,8
Power consumption P_i	W	53	90	120	118	98
Rotation speed n	1/min	2936	2940	2793	2856	2926
SWL inlet L_{WA5}	dB(A)	75	74	73	75	77
SWL outlet L_{WA6}	dB(A)	78	77	76	78	81
SWL housing break out L_{WA2}	dB(A)	63	62	61	62	66

Sound power (L_W) dB(A)		Medium Frequency Band								
		Σ	63	125	250	500	1k	2k	4k	8k
Inlet	L_{WA5}	73	37	53	69	61	67	63	60	52
Outlet	L_{WA6}	76	37	53	69	69	69	71	64	55
Housing radiation	L_{WA2}	61	35	44	60	55	49	48	42	36

KVR 4020 EC 30 132049	
Voltage U_N	230 V 1~
Current I_{max}	1,0 A
Ambient temperature t_A	60 °C
Conveyed medium temperature t_M	60 °C
Speed Control	0-10V
Motor protection	TEC
Insulation class motor	F
Weight	9,3 kg
Number of poles	-
IP motor	IP54
IP terminal box	IP44
IP complete unit	IPX4
Min. operating temperature	-30 °C



1:20 A4 mm

ruck^{EU}
VENTILATOREN

Protection Mark
according to ISO16016

General tolerances
DIN ISO 2768-c

KVR04020EC30

ruck Ventilatoren
Max-Planck-Str. 5
D-97944 Boxberg

Drawn: d.ursu
Created: d.ursu
Changed:

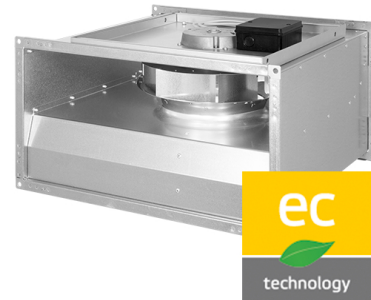
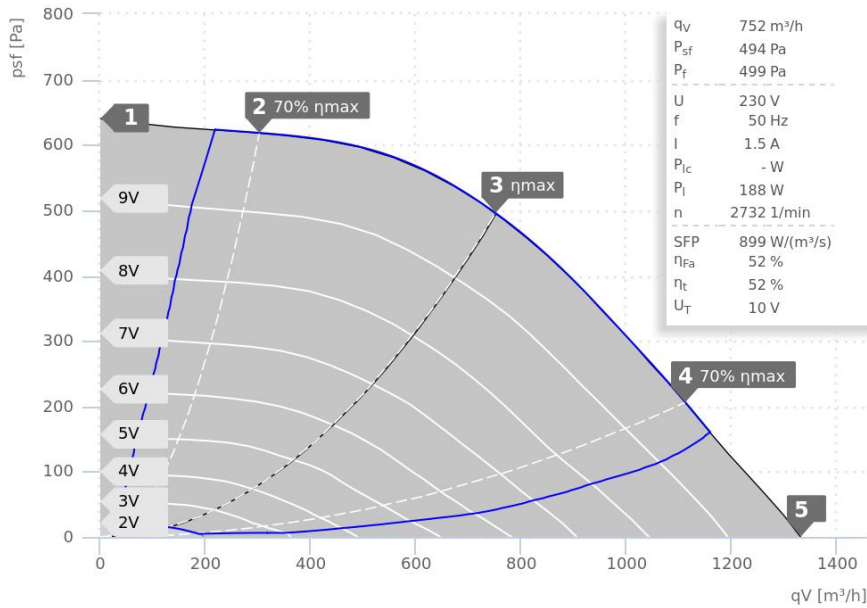
18.12.2014
18.12.2014

132049 00

VENTAS
VENTILATORER

DATA SHEET

KVR 4020 EC 31 | 131342



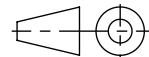
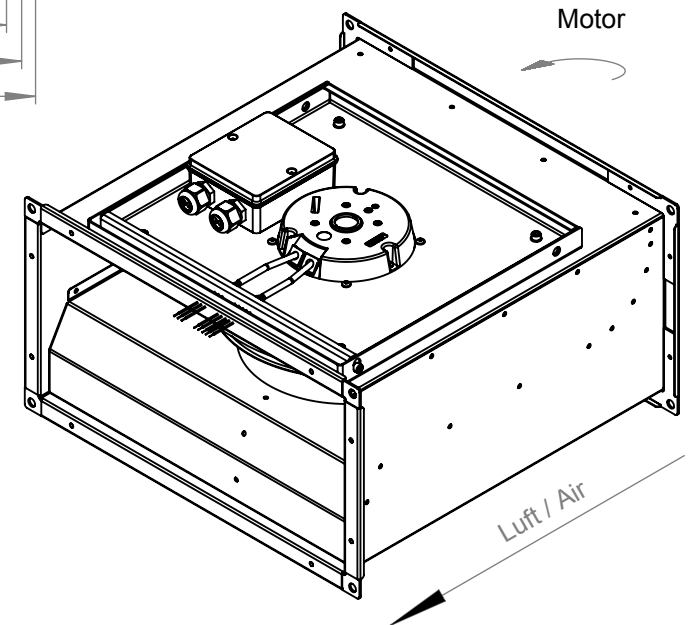
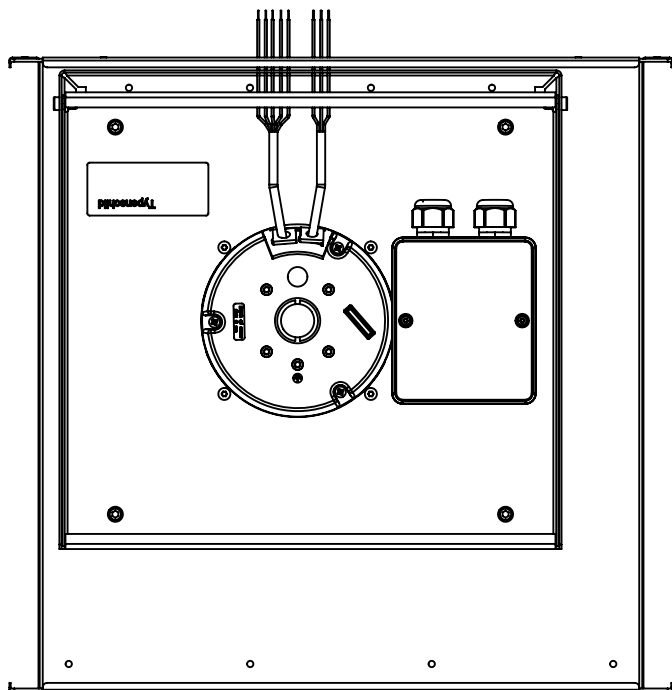
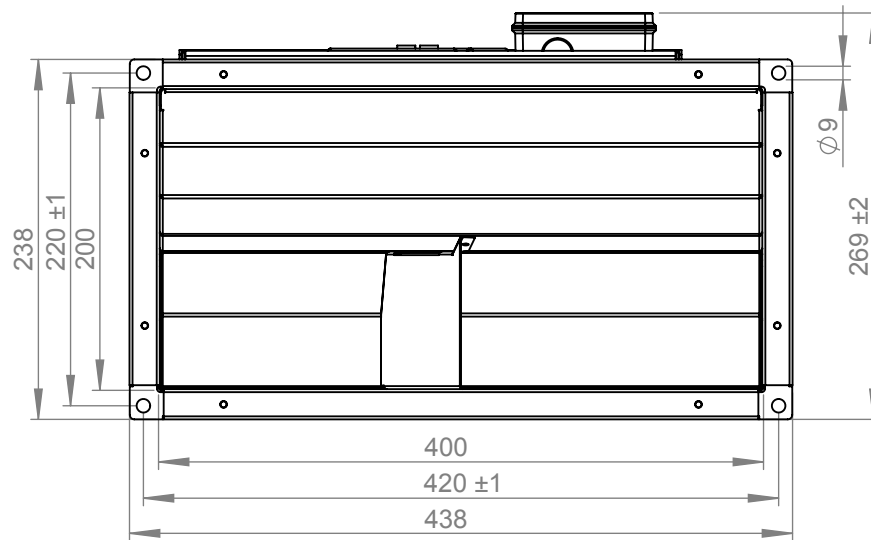
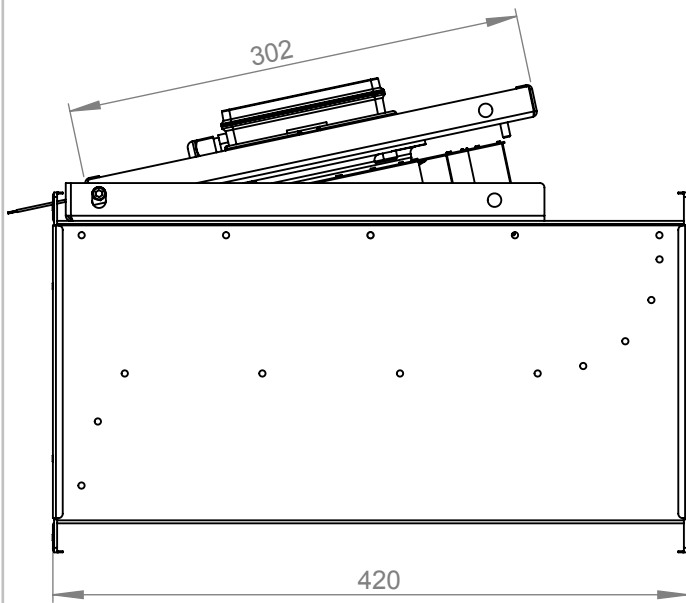
- Backward curved centrifugal fan
- Galvanized metal housing
- Integrated electronic
- EC motor

— ErP compliant range

Operating Point		1	2	3	4	5
Current I	A	0,7	1,1	1,5	1,3	1,1
Power consumption P_i	W	78	137	188	163	129
Rotation speed n	1/min	2740	2738	2734	2726	2727
SWL inlet L_{WA5}	dB(A)	77	78	82	86	87
SWL outlet L_{WA6}	dB(A)	80	80	82	87	89
SWL housing break out L_{WA2}	dB(A)	69	69	71	74	79

Sound power (L_W) dB(A)		Medium Frequency Band								
		Σ	63	125	250	500	1k	2k	4k	8k
Inlet	L_{WA5}	82	41	56	80	72	73	69	69	66
Outlet	L_{WA6}	82	38	56	73	77	76	75	71	66
Housing radiation	L_{WA2}	71	41	47	68	61	66	55	50	45

KVR 4020 EC 31 131342	
Voltage U_N	230 V 1~
Current I_{max}	1,6 A
Ambient temperature t_A	70 °C
Conveyed medium temperature t_M	70 °C
Speed Control	0-10V
Motor protection	TEC
Insulation class motor	F
Weight	9,9 kg
Number of poles	-
IP motor	IP33
IP terminal box	IP44
IP complete unit	IPX4
Min. operating temperature	-30 °C



1:20 A4 mm

ruck^{EU}
VENTILATOREN

Protection Mark
according to ISO16016

General tolerances
DIN ISO 2768-c

KVR04020EC31

ruck Ventilatoren
Max-Planck-Str. 5
D-97944 Boxberg

Drawn: d.ursu
Created: d.ursu
Changed: d.ursu

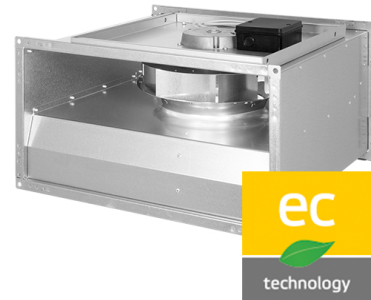
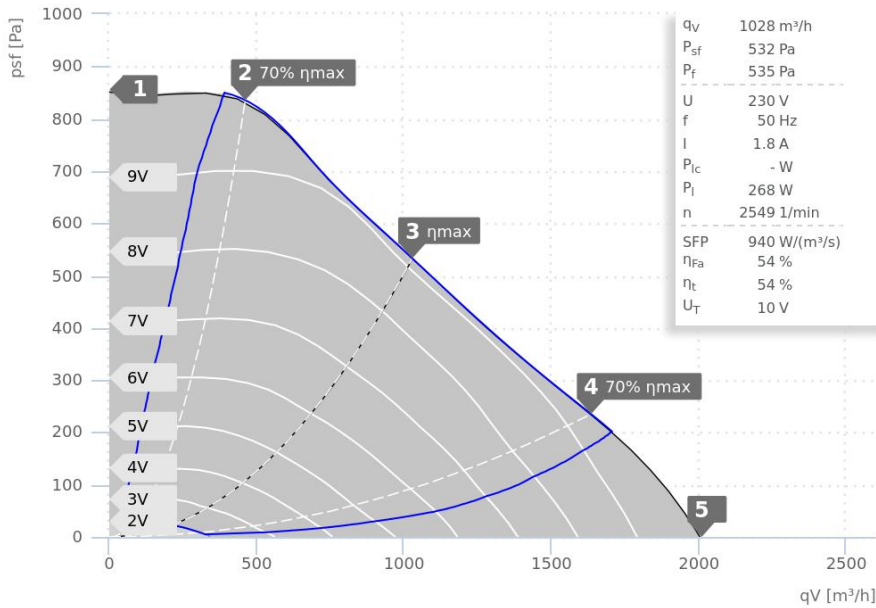
08.12.14
29.10.14
07.01.15

131342 00

VENTAS
VENTILATORER

DATA SHEET

KVR 5025 EC 30 | 131345



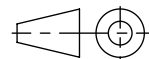
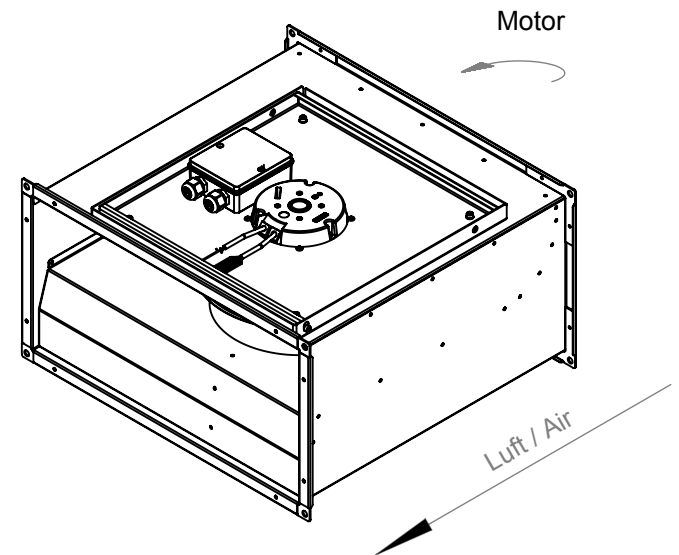
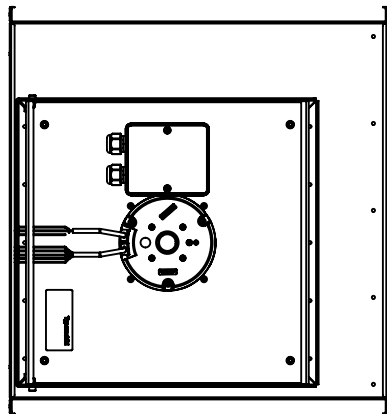
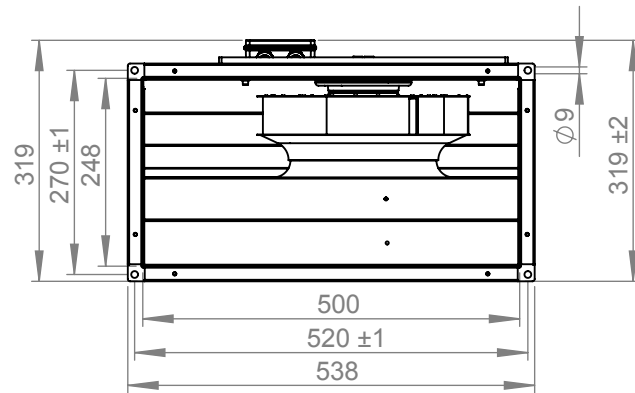
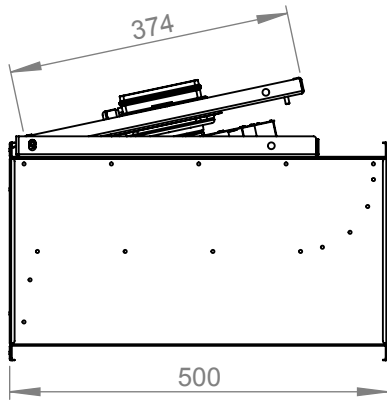
- Backward curved centrifugal fan
- Galvanized metal housing
- Integrated electronic
- EC motor

— ErP compliant range

Operating Point		1	2	3	4	5
Current I	A	1,0	1,8	1,8	1,8	1,6
Power consumption P _i	W	145	272	268	269	231
Rotation speed n	1/min	2902	2844	2549	2747	2910
SWL inlet L _{WA5}	dB(A)	86	84	82	84	88
SWL outlet L _{WA6}	dB(A)	85	84	83	88	92
SWL housing break out L _{WA2}	dB(A)	79	73	69	78	79

Sound power (L _w) dB(A)		Medium Frequency Band								
		Σ	63	125	250	500	1k	2k	4k	8k
Inlet	L _{WA5}	82	41	56	76	70	74	73	76	74
Outlet	L _{WA6}	83	38	56	76	77	74	75	74	73
Housing radiation	L _{WA2}	69	41	47	67	59	64	56	54	52

KVR 5025 EC 30 131345	
Voltage U _N	230 V 1~
Current I _{max}	1,9 A
Ambient temperature t _A	55 °C
Conveyed medium temperature t _M	55 °C
Speed Control	0-10V
Motor protection	TEC
Insulation class motor	F
Weight	13,8 kg
Number of poles	-
IP motor	IP33
IP terminal box	IP44
IP complete unit	IPX4
Min. operating temperature	-30 °C



1:10 A4 mm

ruck^{EU}
VENTILATOREN

ruck Ventilatoren
Max-Planck-Str. 5
D-97944 Boxberg

Protection Mark
according to ISO16016

Drawn: p.guti
Created: d.ursu
Changed: d.ursu

General tolerances
DIN ISO 2768-c

02.12.14
29.10.14
07.01.15

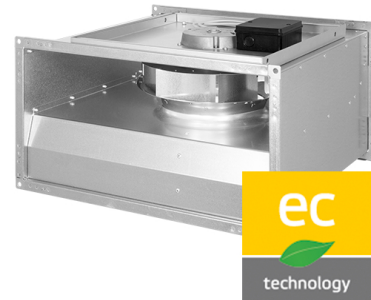
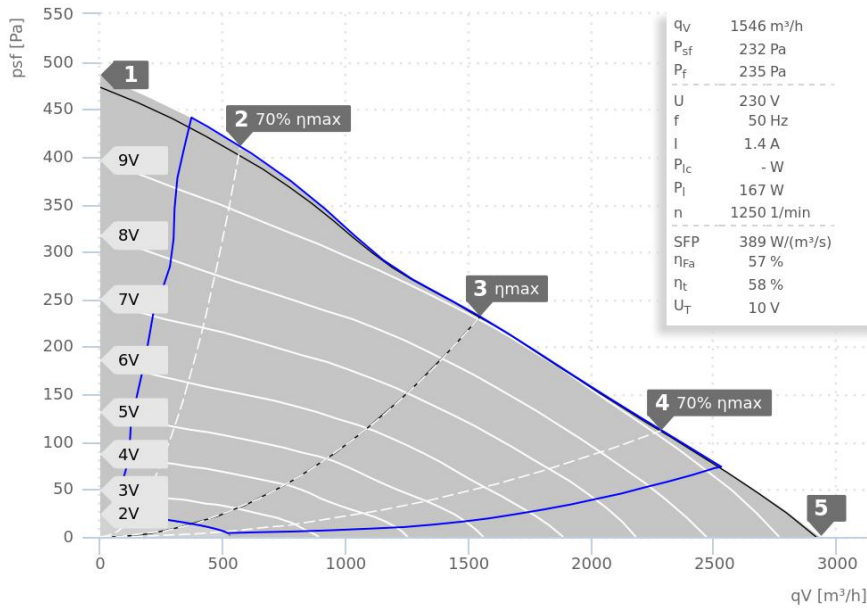
KVR05025EC30

131345 00

VENTAS
VENTILATORER

DATA SHEET

KVR 6030 EC 30 | 156567



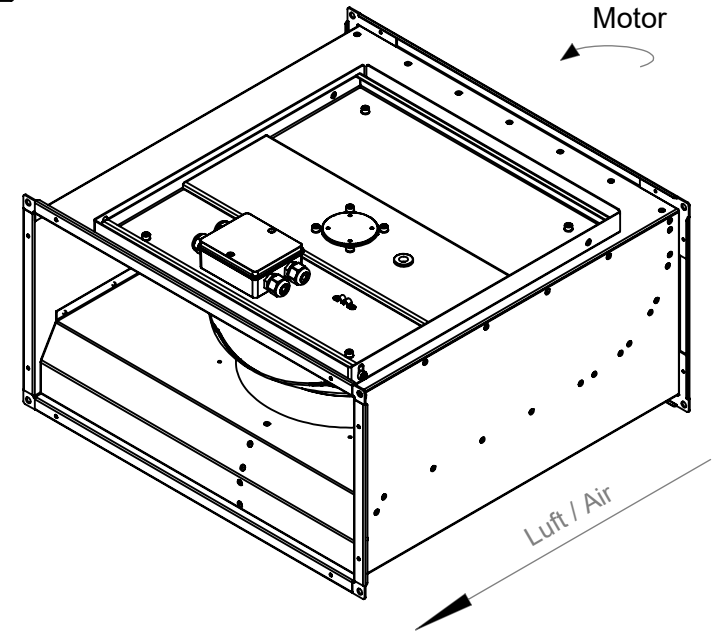
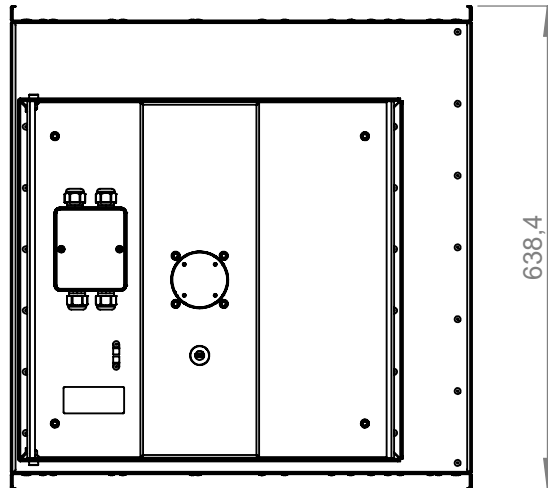
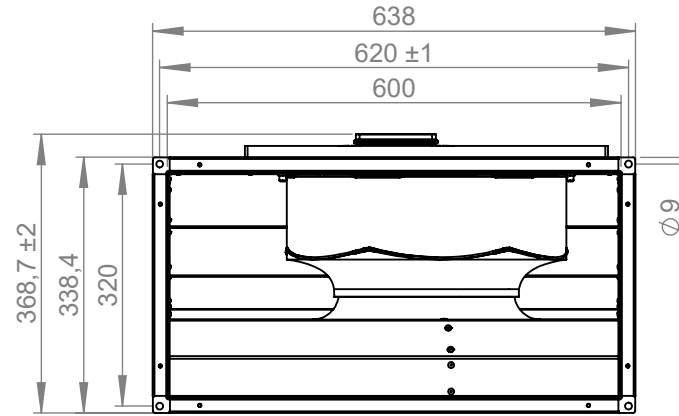
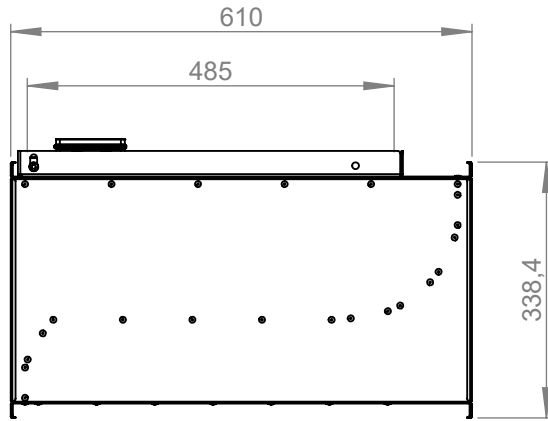
- Backward curved centrifugal fan
- Galvanized metal housing
- Integrated electronic
- EC motor

— ErP compliant range

Operating Point		1	2	3	4	5
Current I	A	1,0	1,4	1,4	1,4	1,4
Power consumption P_i	W	113	159	167	167	167
Rotation speed n	1/min	1543	1449	1250	1284	1389
SWL inlet L_{WA5}	dB(A)	68	66	65	72	76
SWL outlet L_{WA6}	dB(A)	73	71	68	75	81
SWL housing break out L_{WA2}	dB(A)	61	60	58	61	67

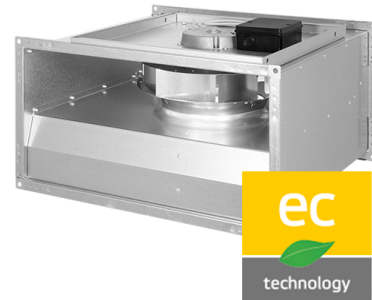
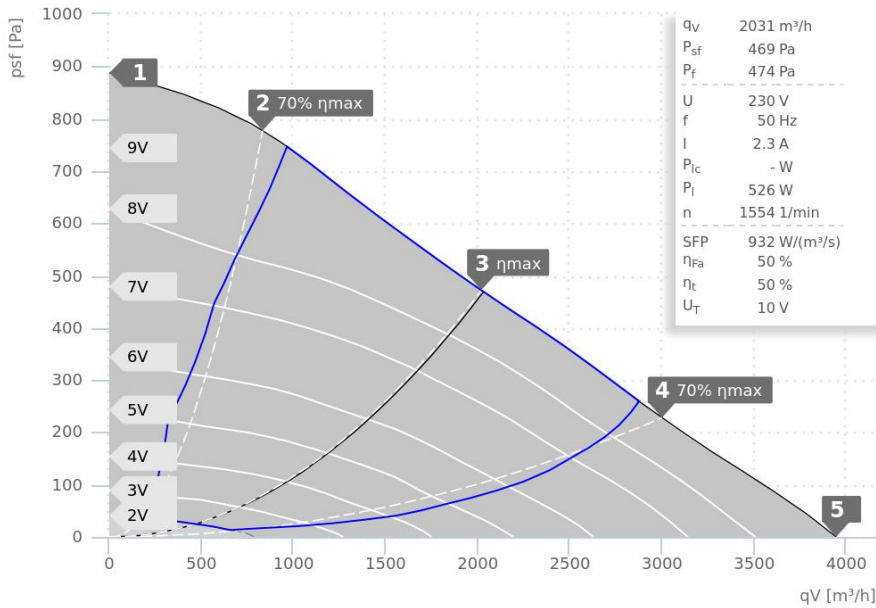
Sound power (L_W) dB(A)		Medium Frequency Band								
		Σ	63	125	250	500	1k	2k	4k	8k
Inlet	L_{WA5}	65	34	59	59	57	57	52	48	39
Outlet	L_{WA6}	68	36	61	61	62	63	57	52	43
Housing radiation	L_{WA2}	58	35	55	52	46	46	46	41	28

KVR 6030 EC 30 156567	
Voltage U_N	230 V 1~
Current I_{max}	1,5 A
Ambient temperature t_A	60 °C
Conveyed medium temperature t_M	60 °C
Speed Control	0-10V
Motor protection	TEC
Insulation class motor	B
Weight	22,0 kg
Number of poles	-
IP motor	IP54
IP terminal box	-
IP complete unit	-
Min. operating temperature	-25 °C



DATA SHEET

KVR 6030 EC 31 | 156683



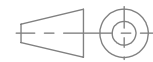
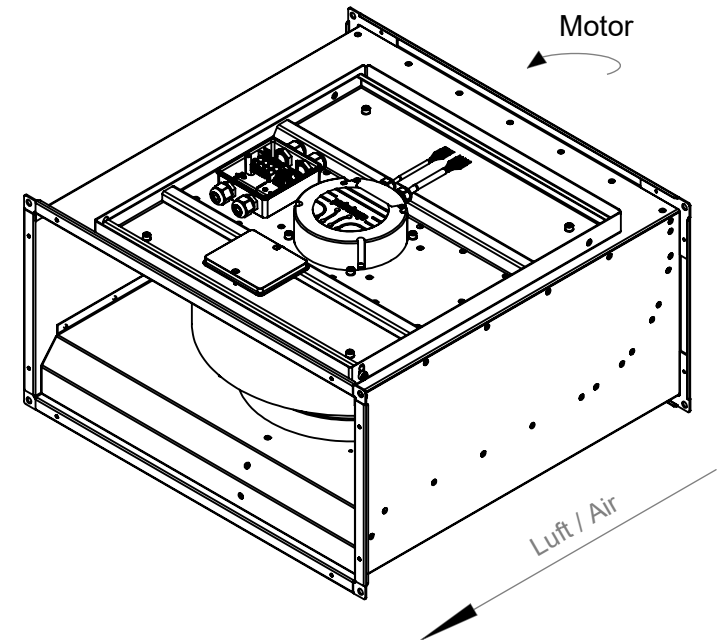
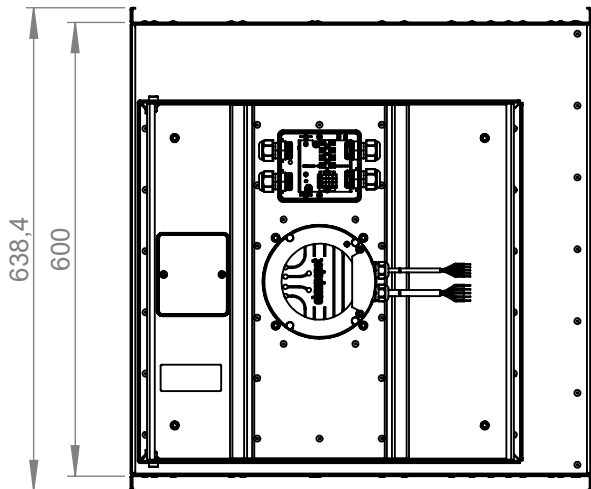
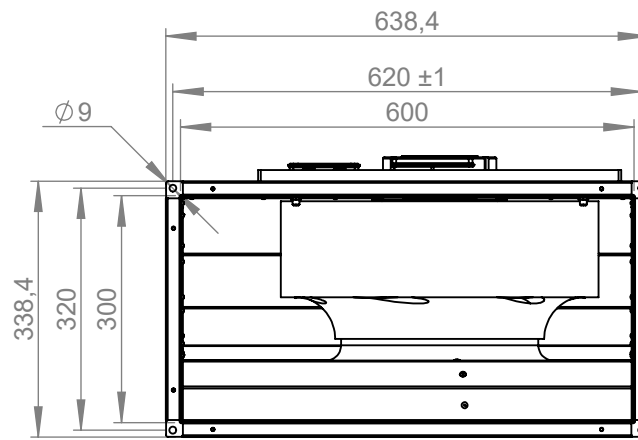
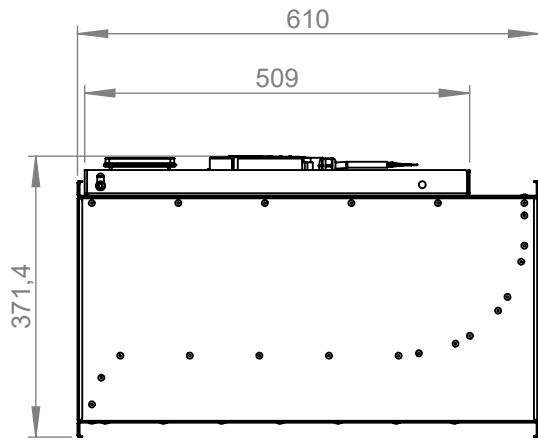
- Backward curved centrifugal fan
- Galvanized metal housing
- Integrated electronic
- EC motor

— ErP compliant range

Operating Point		1	2	3	4	5
Current I	A	1,6	2,3	2,3	2,3	2,3
Power consumption P _i	W	373	518	526	535	533
Rotation speed n	1/min	1903	1785	1555	1555	1616
SWL inlet L _{WA5}	dB(A)	79	77	79	83	86
SWL outlet L _{WA6}	dB(A)	85	84	84	88	92
SWL housing break out L _{WA2}	dB(A)	73	71	69	73	81

Sound power (L _W) dB(A)		Medium Frequency Band								
		Σ	63	125	250	500	1k	2k	4k	8k
Inlet	L _{WA5}	79	44	75	72	70	71	65	61	54
Outlet	L _{WA6}	84	50	81	76	76	76	71	64	57
Housing radiation	L _{WA2}	70	48	64	64	57	62	62	51	43

KVR 6030 EC 31 156683	
Voltage U _N	230 V 1~
Current I _{max}	2,5 A
Ambient temperature t _A	50 °C
Conveyed medium temperature t _M	50 °C
Speed Control	0-10V
Motor protection	TEC
Insulation class motor	F
Weight	24,5 kg
Number of poles	-
IP motor	IP55
IP terminal box	-
IP complete unit	-
Min. operating temperature	-25 °C



1:10 A4 mm

Protection Mark according to ISO16016

General tolerances DIN ISO 2768-c

KVR06030EC31

Created d.costea
 Drawn d.costea
 Released d.costea
 Disabled

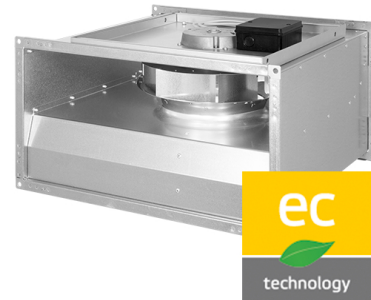
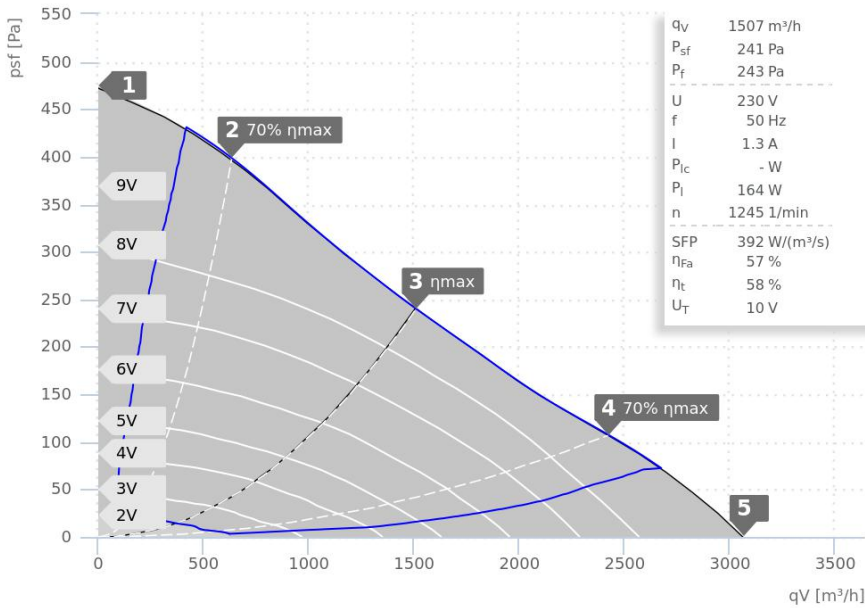
12.01.2021
 12.01.2021
 12.01.2021

156683 00



DATA SHEET

KVR 6035 EC 30 | 131357



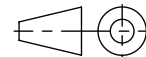
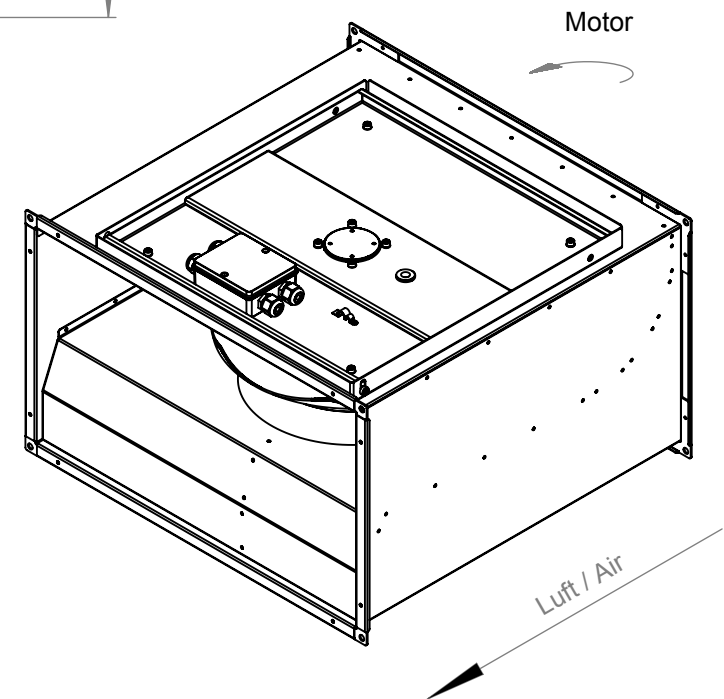
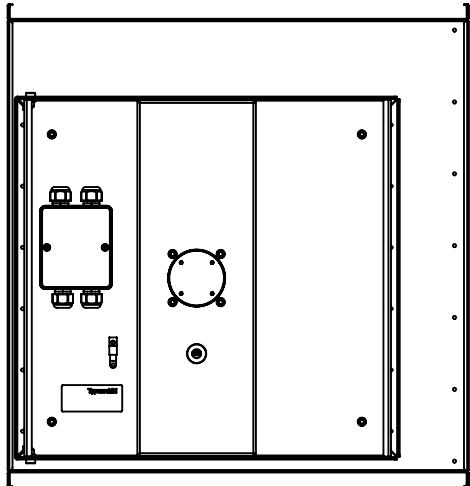
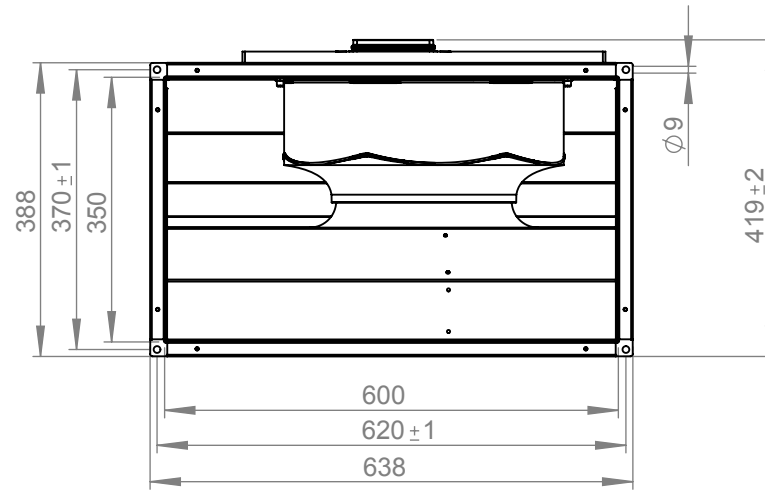
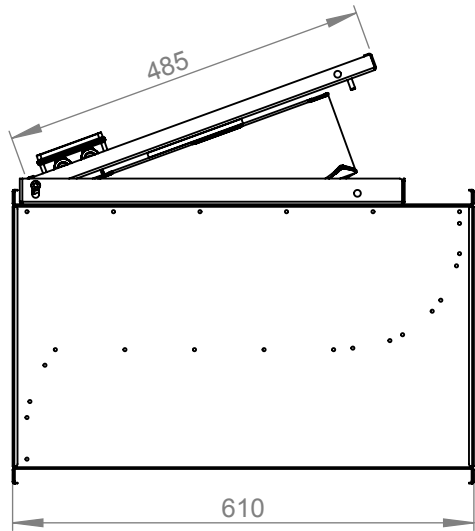
- Backward curved centrifugal fan
- Galvanized metal housing
- Integrated electronic
- EC motor

— ErP compliant range

Operating Point		1	2	3	4	5
Current I	A	0,9	1,3	1,3	1,3	1,3
Power consumption P_1	W	109	166	164	163	164
Rotation speed n	1/min	1554	1414	1244	1283	1397
SWL inlet L_{WA5}	dB(A)	69	66	67	71	77
SWL outlet L_{WA6}	dB(A)	73	71	70	75	81
SWL housing break out L_{WA2}	dB(A)	62	60	56	62	67

Sound power (L_W) dB(A)		Medium Frequency Band								
		Σ	63	125	250	500	1k	2k	4k	8k
Inlet	L_{WA5}	66	33	64	58	55	55	52	47	38
Outlet	L_{WA6}	70	34	66	61	62	62	55	51	43
Housing radiation	L_{WA2}	56	35	54	48	45	45	40	32	23

KVR 6035 EC 30 131357	
Voltage U_N	230 V 1~
Current I_{max}	1,4 A
Ambient temperature t_A	60 °C
Conveyed medium temperature t_M	60 °C
Speed Control	0-10V
Motor protection	TEC
Insulation class motor	B
Weight	22,7 kg
Number of poles	-
IP motor	IP54
IP terminal box	IP44
IP complete unit	IPX4
Min. operating temperature	-25 °C



1:10 A4 mm

ruck^{EU}
VENTILATOREN

ruck Ventilatoren
Max-Planck-Str. 5
D-97944 Boxberg

Protection Mark
according to ISO16016

Drawn: d.ursu
Created: d.ursu
Changed: d.ursu

General tolerances
DIN ISO 2768-c

17.11.14
29.10.14
18.11.14

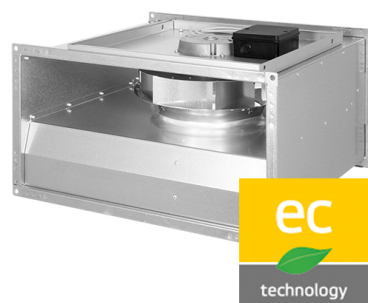
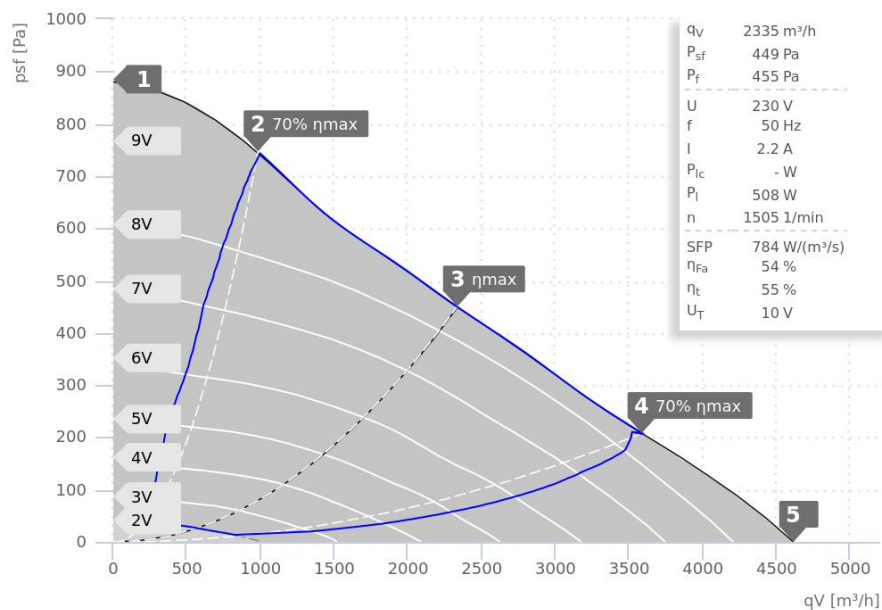
KVR06035EC30

131357 00

VENTAS
VENTILATORER

DATA SHEET

KVR 6035 EC 31 | 131361



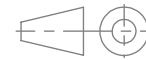
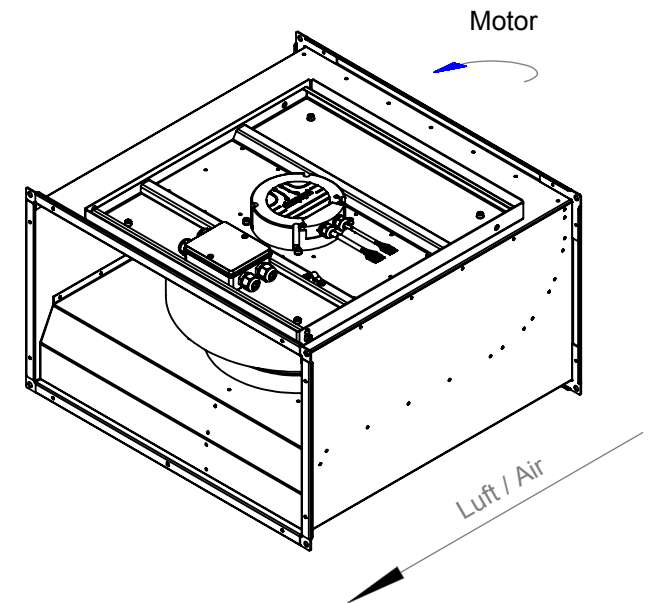
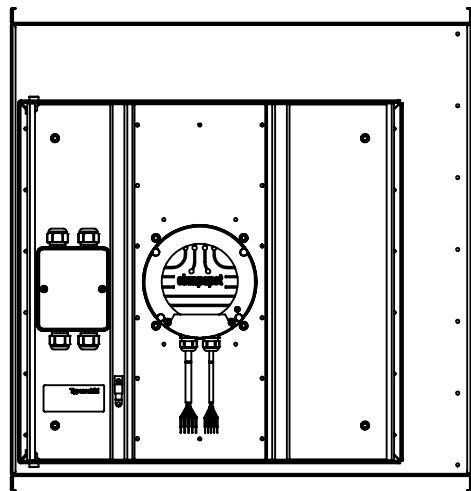
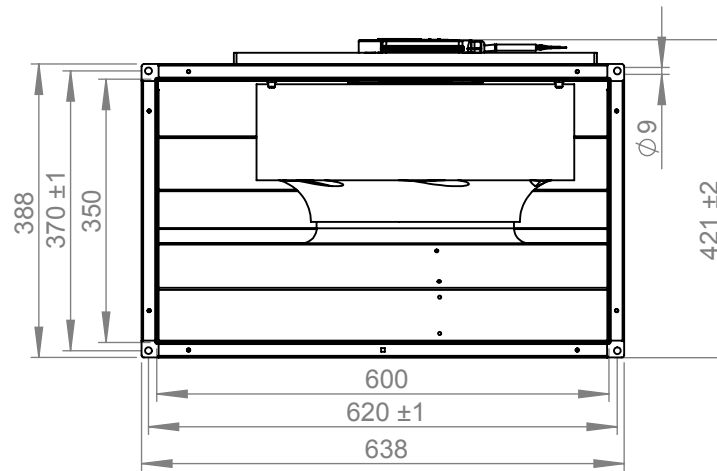
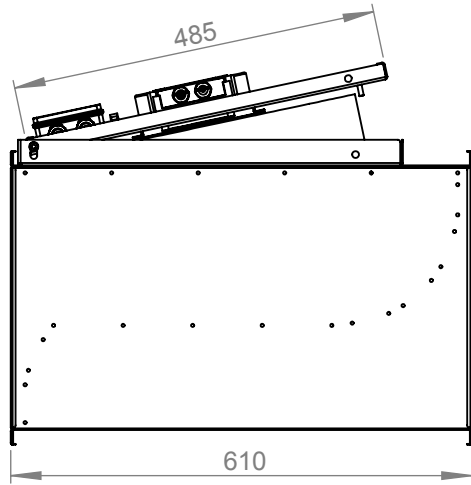
- Backward curved centrifugal fan
- Galvanized metal housing
- Integrated electronic
- EC motor

— ErP compliant range

Operating Point		1	2	3	4	5
Current I	A	1,7	2,3	2,2	2,2	2,2
Power consumption P_i	W	382	517	508	509	510
Rotation speed n	1/min	1912	1754	1505	1521	1631
SWL inlet L_{WA5}	dB(A)	83	79	78	82	85
SWL outlet L_{WA6}	dB(A)	85	84	79	85	89
SWL housing break out L_{WA2}	dB(A)	71	70	65	71	74

Sound power (L_W) dB(A)		Medium Frequency Band								
		Σ	63	125	250	500	1k	2k	4k	8k
Inlet	L_{WA5}	78	44	76	67	67	67	64	61	55
Outlet	L_{WA6}	79	44	76	70	71	72	67	64	57
Housing radiation	L_{WA2}	65	44	64	57	52	53	49	45	37

KVR 6035 EC 31 131361	
Voltage U_N	230 V 1~
Current I_{max}	2,4 A
Ambient temperature t_A	50 °C
Conveyed medium temperature t_M	50 °C
Speed Control	0-10V
Motor protection	TEC
Insulation class motor	F
Weight	25,1 kg
Number of poles	-
IP motor	IP54
IP terminal box	IP44
IP complete unit	IPX4
Min. operating temperature	-25 °C



1:20 A4 mm



Protection Mark
according to ISO16016

General tolerances
DIN ISO 2768-c

KVR06035EC31

ruck Ventilatoren
Max-Planck-Str. 5
D-97944 Boxberg

Drawn: d.ursu
Created: d.ursu
Changed: d.ursu

28.11.2014
28.11.2014
28.11.14

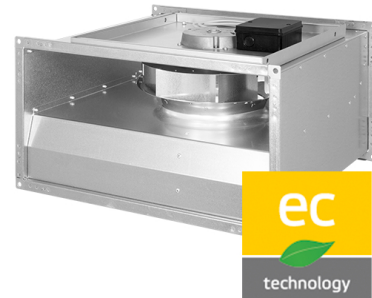
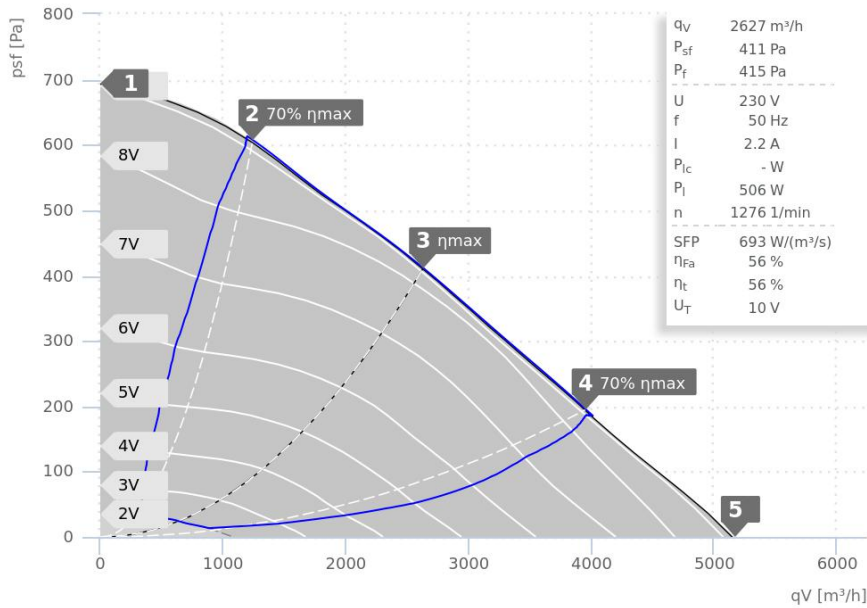
131361 00



DATA SHEET

ruck.eu
VENTILATOREN

KVR 7040 EC 30 | 131365



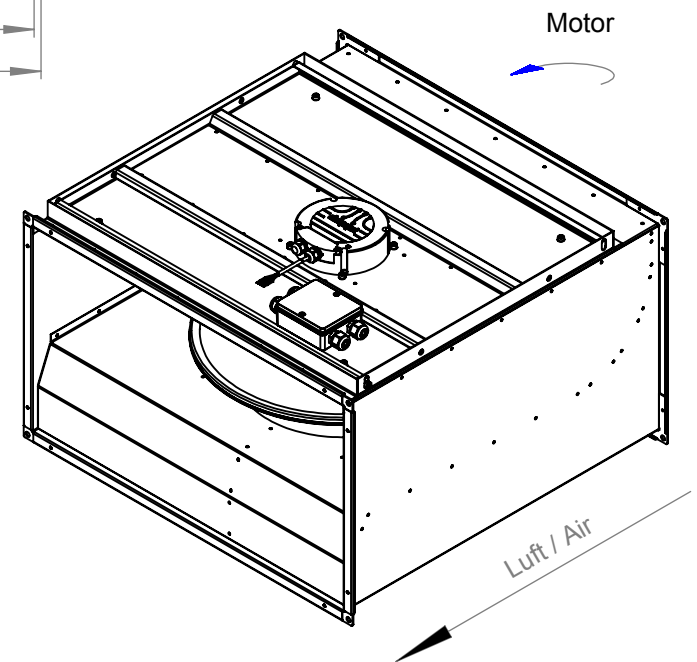
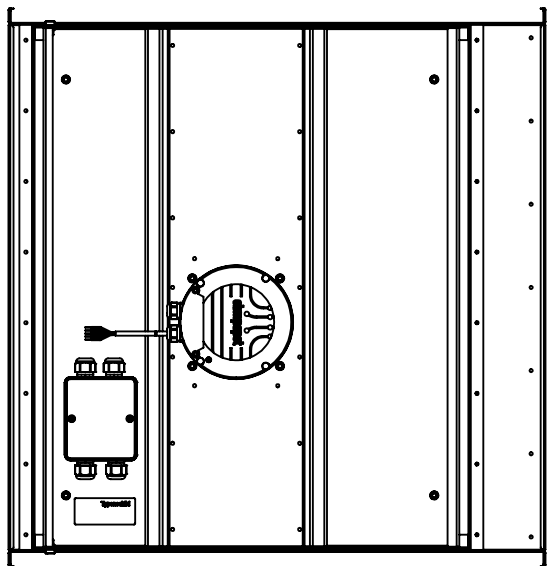
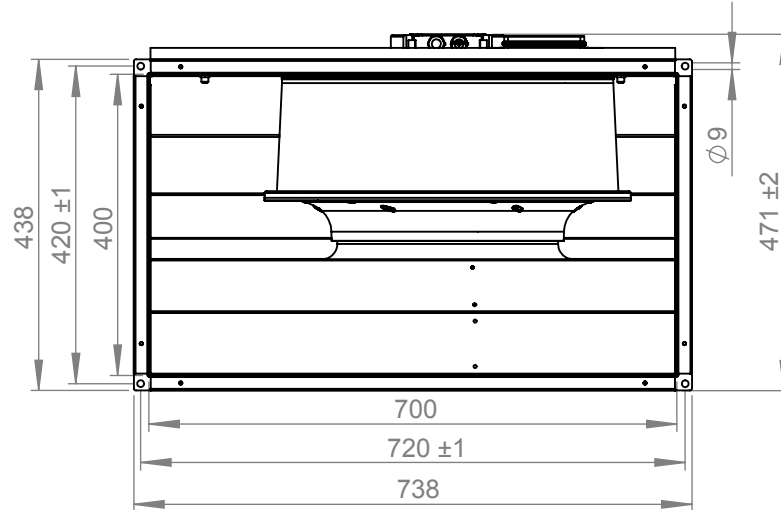
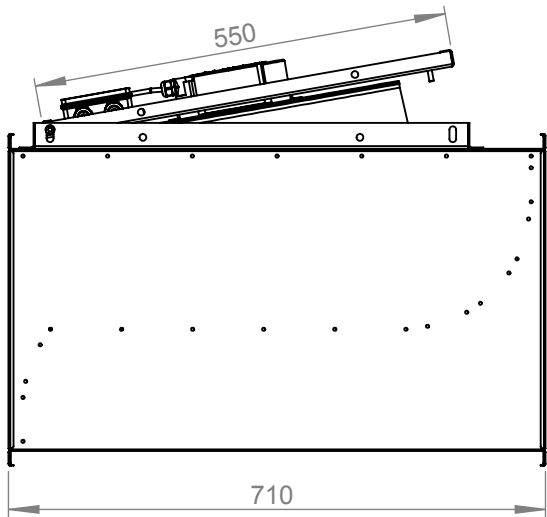
- Backward curved centrifugal fan
- Galvanized metal housing
- Integrated electronic
- EC motor

— ErP compliant range

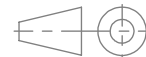
Operating Point		1	2	3	4	5
Current I	A	1,4	2,3	2,2	2,2	2,2
Power consumption P _i	W	318	518	506	508	508
Rotation speed n	1/min	1512	1433	1276	1333	1424
SWL inlet L _{WA5}	dB(A)	79	78	75	79	83
SWL outlet L _{WA6}	dB(A)	85	84	81	84	89
SWL housing break out L _{WA2}	dB(A)	69	68	64	69	73

Sound power (L _W) dB(A)		Medium Frequency Band								
		Σ	63	125	250	500	1k	2k	4k	8k
Inlet	L _{WA5}	75	47	67	64	69	68	67	64	56
Outlet	L _{WA6}	81	51	72	71	75	76	73	68	59
Housing radiation	L _{WA2}	64	47	63	56	55	53	49	44	35

KVR 7040 EC 30 131365	
Voltage U _N	230 V 1~
Current I _{max}	2,4 A
Ambient temperature t _A	50 °C
Conveyed medium temperature t _M	50 °C
Speed Control	0-10V
Motor protection	TEC
Insulation class motor	F
Weight	33,0 kg
Number of poles	-
IP motor	IP54
IP terminal box	IP44
IP complete unit	IPX4
Min. operating temperature	-25 °C



ruck Ventilatoren
Max-Planck-Str. 5
D-97944 Boxberg



1:20 A4 mm

Protection Mark
according to ISO16016

General tolerances
DIN ISO 2768-c

Drawn: d.ursu
Created: d.ursu
Changed: d.ursu

27.11.2014
27.11.2014
27.11.14

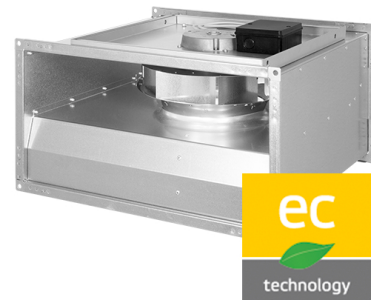
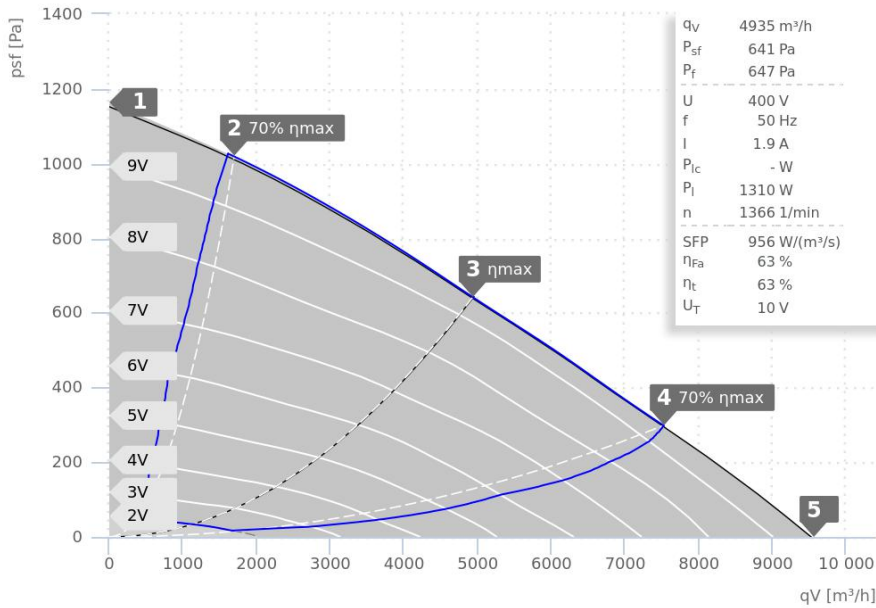
KVR07040EC30

131365 00



DATA SHEET

KVR 8050 EC 30 | 131370



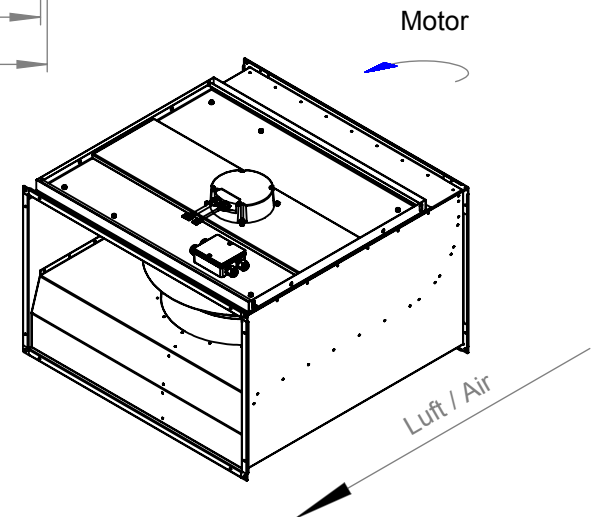
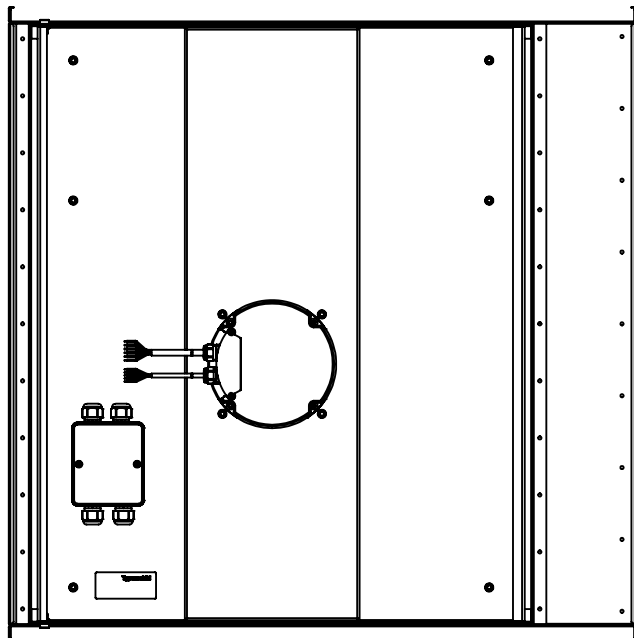
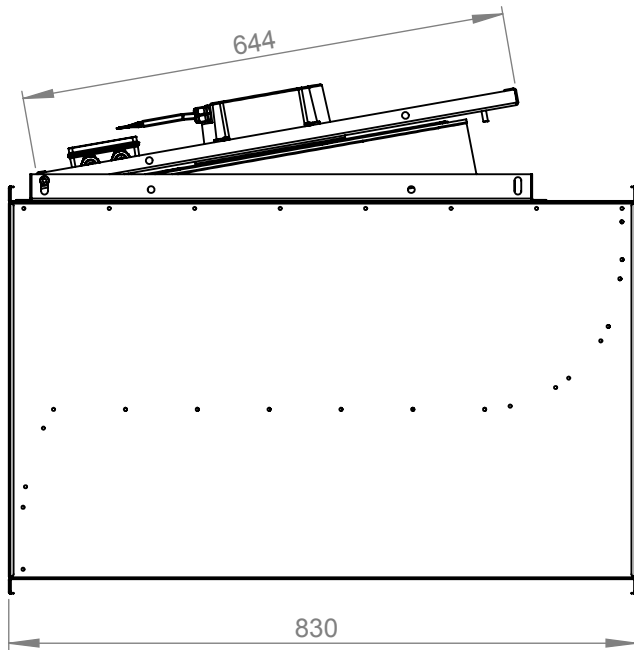
- Backward curved centrifugal fan
- Galvanized metal housing
- Integrated electronic
- EC motor

— ErP compliant range

Operating Point		1	2	3	4	5
Current I	A	1,0	1,5	1,9	2,0	1,8
Power consumption P _i	W	689	1029	1319	1334	1191
Rotation speed n	1/min	1591	1513	1369	1410	1472
SWL inlet L _{WA5}	dB(A)	81	79	81	84	87
SWL outlet L _{WA6}	dB(A)	87	85	83	89	95
SWL housing break out L _{WA2}	dB(A)	73	72	67	72	76

Sound power (L _W) dB(A)		Medium Frequency Band								
		Σ	63	125	250	500	1k	2k	4k	8k
Inlet	L _{WA5}	81	49	79	67	71	71	69	66	60
Outlet	L _{WA6}	84	50	75	76	78	77	73	69	63
Housing radiation	L _{WA2}	67	50	64	60	60	58	55	52	46

KVR 8050 EC 30 131370	
Voltage U _N	400 V 3~
Current I _{max}	2,1 A
Ambient temperature t _A	50 °C
Conveyed medium temperature t _M	50 °C
Speed Control	0-10V
Motor protection	TEC
Insulation class motor	F
Weight	58,1 kg
Number of poles	-
IP motor	IP54
IP terminal box	IP44
IP complete unit	IPX4
Min. operating temperature	-25 °C



ruck Ventilatoren
Max-Planck-Str. 5
D-97944 Boxberg



Protection Mark
according to ISO16016

Drawn: d.ursu
Created: d.ursu
Changed: d.ursu

1:20 A4 mm

General tolerances
DIN ISO 2768-c

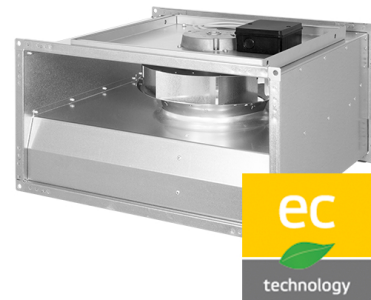
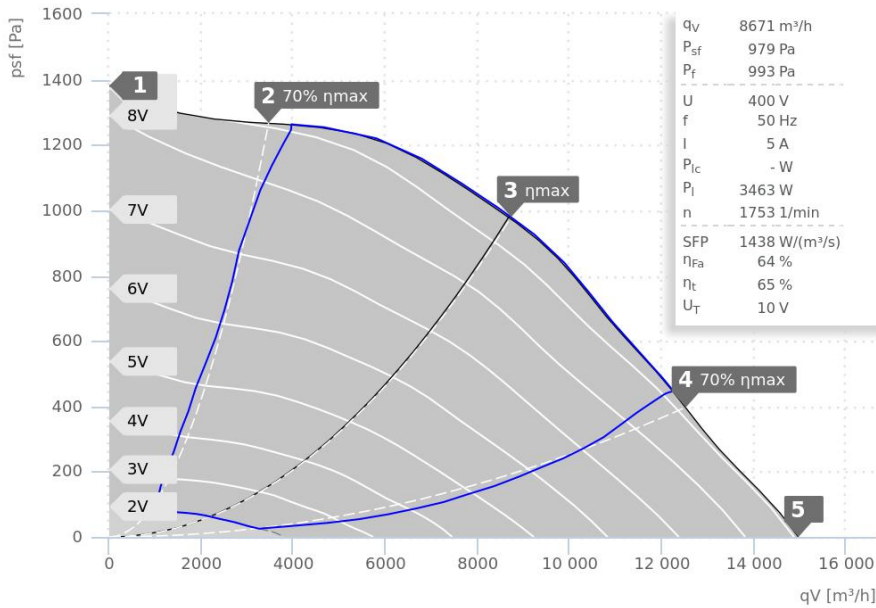
KVR08050EC30

131370 00



DATA SHEET

KVR 10050 EC 30 | 131373



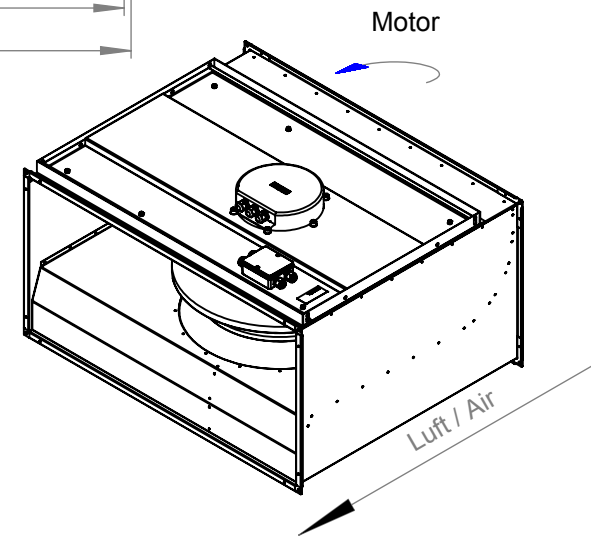
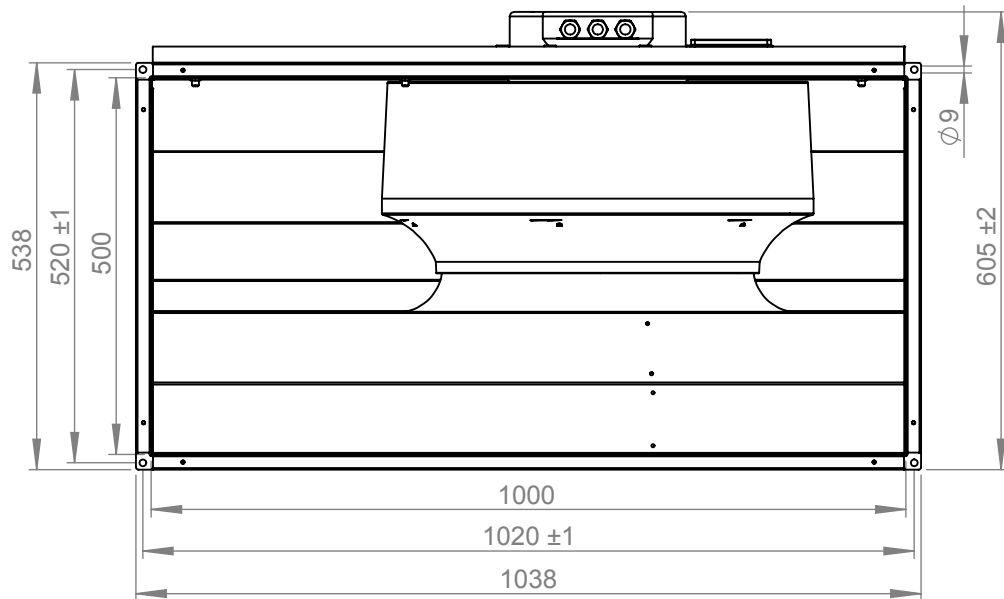
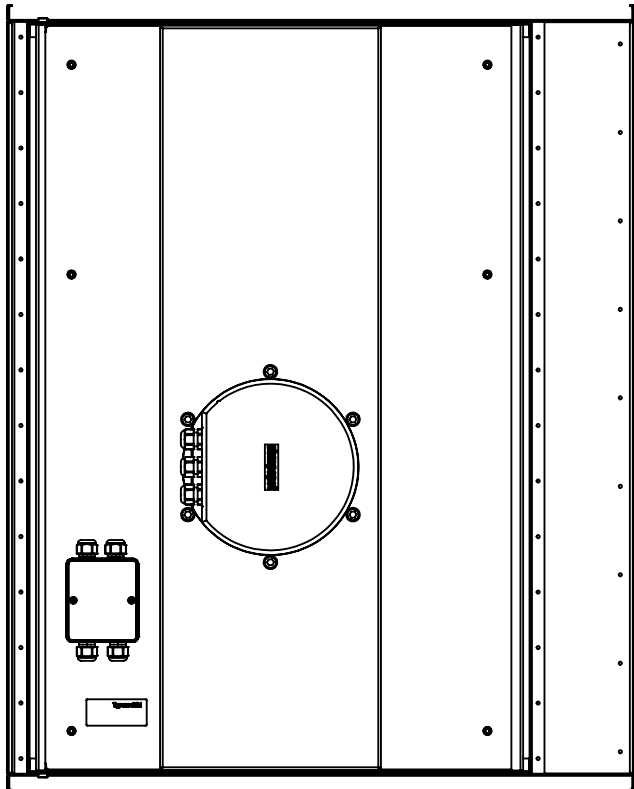
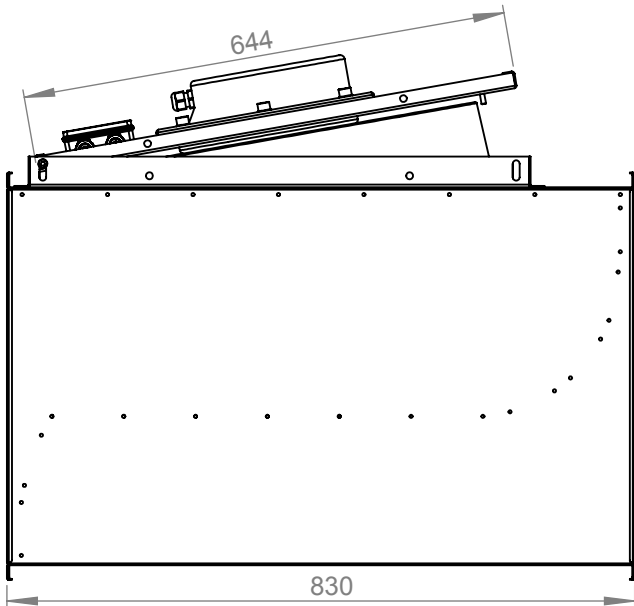
- Backward curved centrifugal fan
- Galvanized metal housing
- Integrated electronic
- EC motor

— ErP compliant range

Operating Point		1	2	3	4	5
Current I	A	2,1	3,8	5,1	4,2	3,8
Power consumption P_1	W	1396	2603	3490	2864	2603
Rotation speed n	1/min	1782	1773	1757	1749	1792
SWL inlet L_{WA5}	dB(A)	88	88	89	94	95
SWL outlet L_{WA6}	dB(A)	93	94	94	99	100
SWL housing break out L_{WA2}	dB(A)	79	80	81	84	84

Sound power (L_W) dB(A)		Medium Frequency Band								
		Σ	63	125	250	500	1k	2k	4k	8k
Inlet	L_{WA5}	89	57	83	83	83	81	79	77	73
Outlet	L_{WA6}	94	57	87	88	87	88	84	81	76
Housing radiation	L_{WA2}	81	54	78	76	71	72	69	64	56

KVR 10050 EC 30 131373	
Voltage U_N	400 V 3~
Current I_{max}	5,3 A
Ambient temperature t_A	60 °C
Conveyed medium temperature t_M	60 °C
Speed Control	0-10V
Motor protection	TEC
Insulation class motor	F
Weight	65,5 kg
Number of poles	-
IP motor	IP55
IP terminal box	-
IP complete unit	-
Min. operating temperature	-30 °C



ruck Ventilatoren
Max-Planck-Str. 5
D-97944 Boxberg



1:20 A4 mm

Protection Mark
according to ISO16016

General tolerances
DIN ISO 2768-c

KVR10050EC30

Drawn: d.ursu
Created: d.ursu
Changed:

24.11.2014
24.11.2014

131373 00

