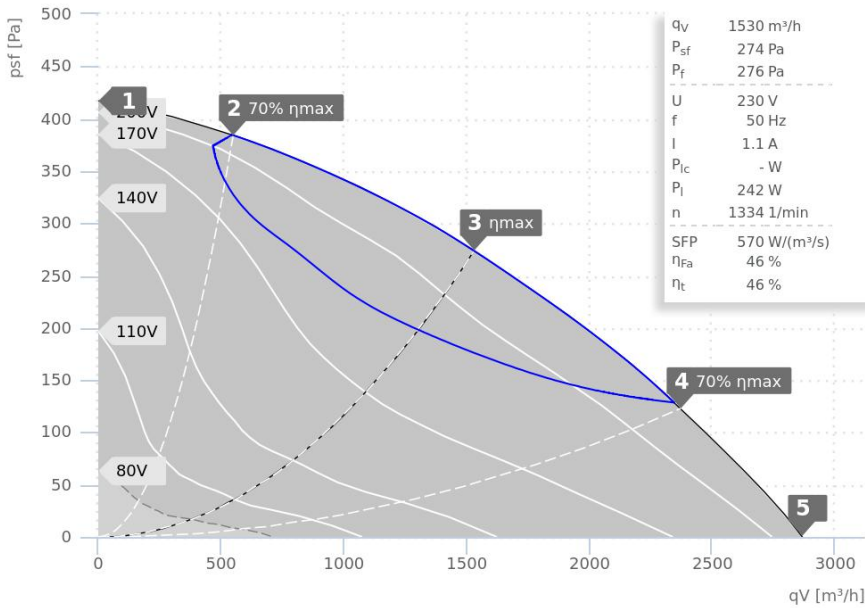


# DATA SHEET

KVRI 6035 E4 30 | 131401



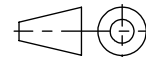
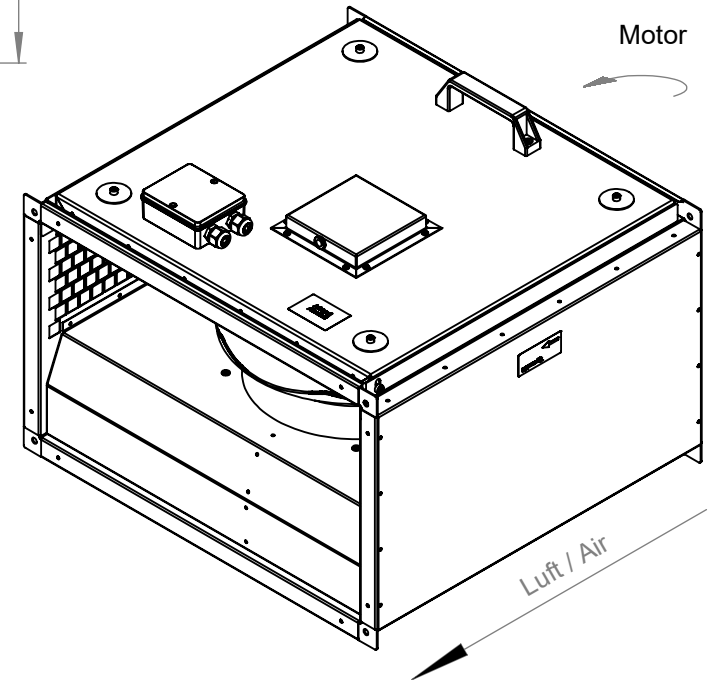
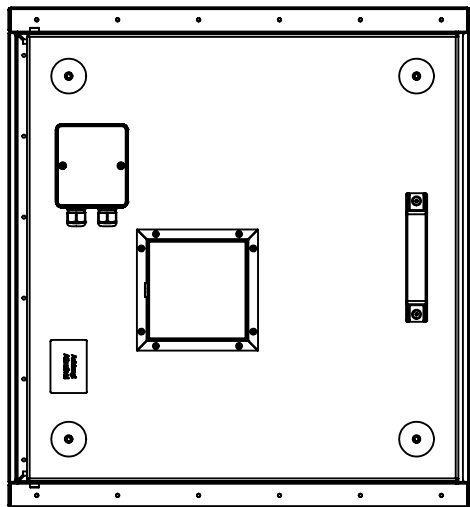
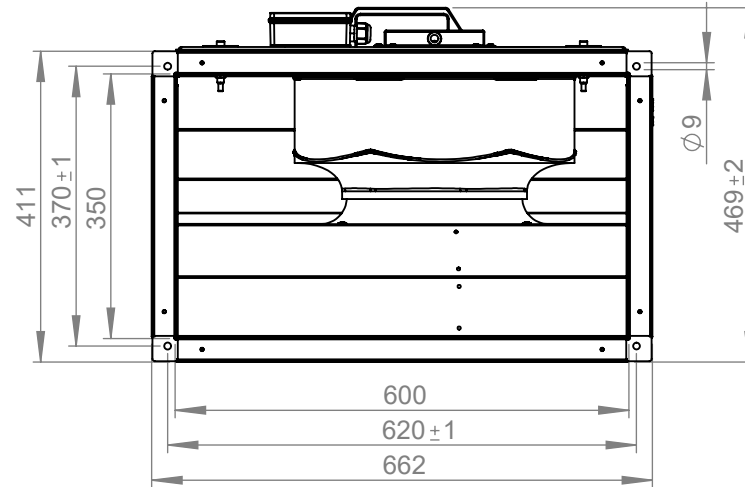
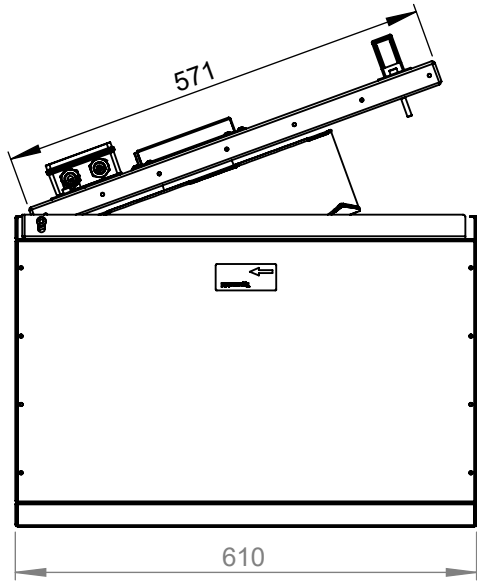
- Backward curved centrifugal fan
- Galvanized metal housing
- Speed controllable
- Swing-out fan unit
- Sound insulated

— ErP compliant range

Operating Point		1	2	3	4	5
Current I	A	0,7	0,8	1,1	1,1	0,9
Power consumption P <sub>i</sub>	W	140	176	242	238	210
Rotation speed n	1/min	1444	1411	1334	1345	1380
SWL inlet L <sub>WA5</sub>	dB(A)	63	61	62	64	66
SWL outlet L <sub>WA6</sub>	dB(A)	69	68	65	70	74
SWL housing break out L <sub>WA2</sub>	dB(A)	58	55	52	55	57

Sound power (L <sub>W</sub> ) dB(A)		Medium Frequency Band								
		Σ	63	125	250	500	1k	2k	4k	8k
Inlet	L <sub>WA5</sub>	62	37	61	47	46	41	40	36	30
Outlet	L <sub>WA6</sub>	65	35	62	57	57	59	52	48	41
Housing radiation	L <sub>WA2</sub>	52	37	51	43	38	37	36	34	25

KVRI 6035 E4 30   131401	
Voltage U <sub>N</sub>	230 V 1~
Current I <sub>max</sub>	1,3 A
Ambient temperature t <sub>A</sub>	40 °C
Conveyed medium temperature t <sub>M</sub>	40 °C
Speed Control	V
Motor protection	TAI
Insulation class motor	F
Weight	36,0 kg
Number of poles	4
IP motor	IP44
IP terminal box	IP44
IP complete unit	IPX4
Min. operating temperature	-25 °C



1:10 A4 mm

Protection Mark  
according to ISO16016

General tolerances  
DIN ISO 2768-c

**KVRI06035E430+**

ruck Ventilatoren  
Max-Planck-Str. 5  
D-97944 Boxberg

Drawn: d.ursu  
Created: d.ursu  
Changed: d.ursu

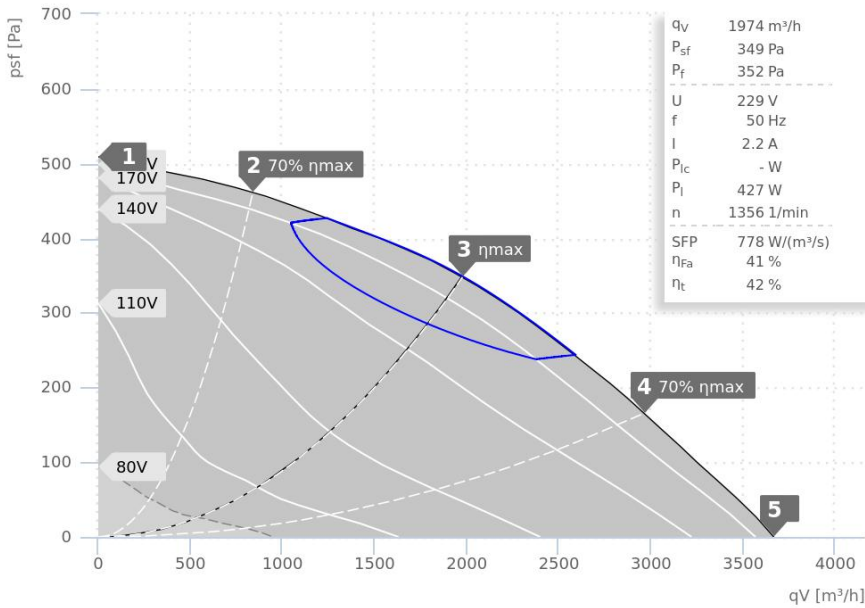
05.02.2015  
05.02.2015  
21.05.15

**131401 00**



# DATA SHEET

KVRI 6035 E4 31 | 131407



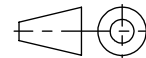
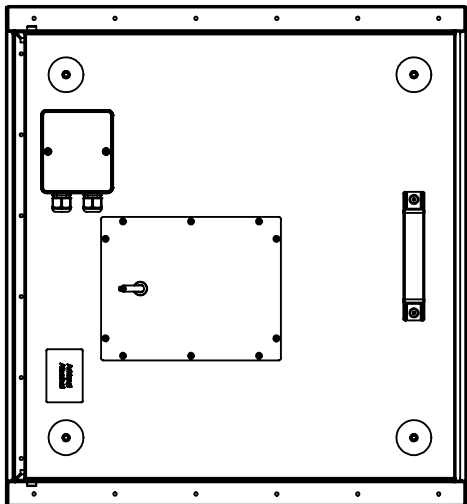
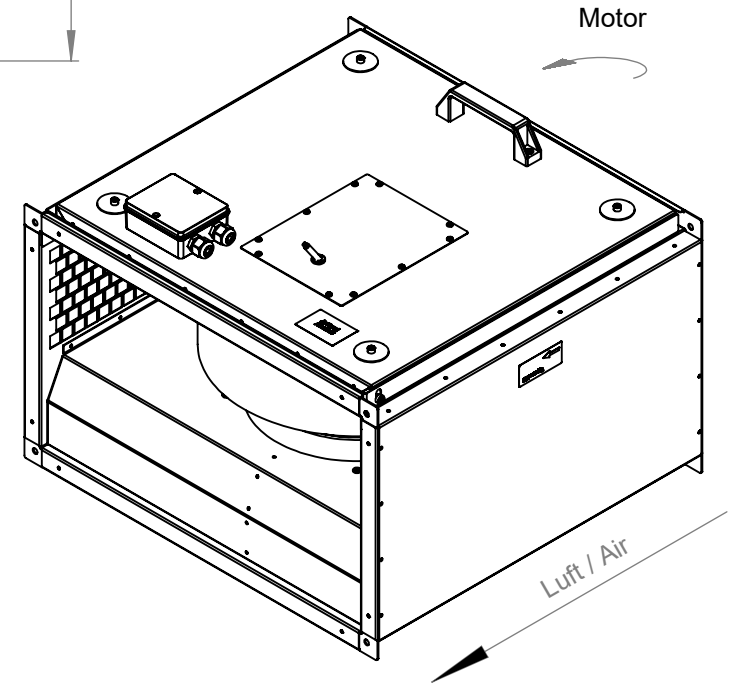
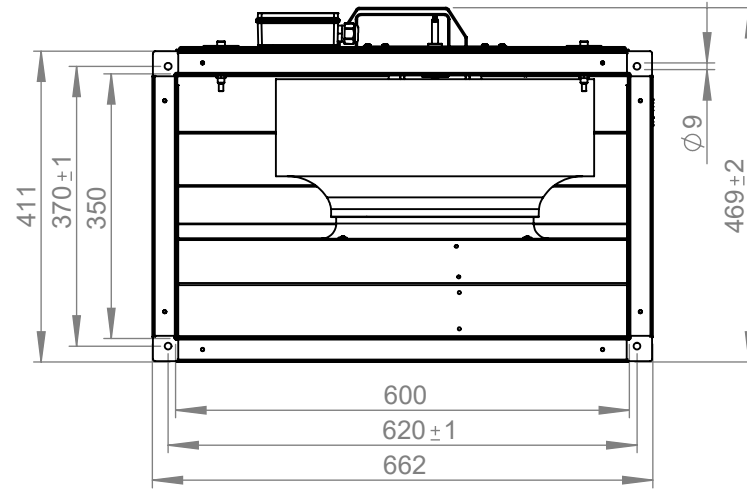
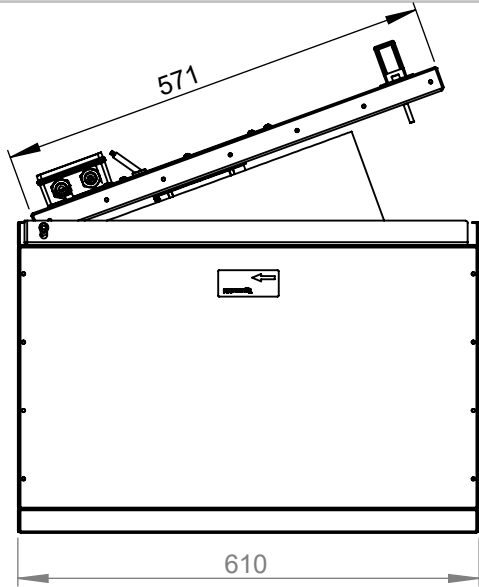
- Backward curved centrifugal fan
- Galvanized metal housing
- Speed controllable
- Swing-out fan unit
- Sound insulated

— ErP compliant range

Operating Point		1	2	3	4	5
Current $I$	A	1,5	1,9	2,2	2,2	2,1
Power consumption $P_i$	W	245	344	428	434	408
Rotation speed $n$	1/min	1439	1400	1358	1356	1372
SWL inlet $L_{WA5}$	dB(A)	67	66	65	68	71
SWL outlet $L_{WA6}$	dB(A)	74	73	72	76	79
SWL housing break out $L_{WA2}$	dB(A)	60	61	59	60	64

Sound power ( $L_W$ ) dB(A)		Medium Frequency Band								
		$\Sigma$	63	125	250	500	1k	2k	4k	8k
Inlet	$L_{WA5}$	65	46	63	57	56	51	52	49	43
Outlet	$L_{WA6}$	72	46	68	64	64	66	60	55	48
Housing radiation	$L_{WA2}$	59	48	58	48	45	40	39	30	24

KVRI 6035 E4 31   131407	
Voltage $U_N$	230 V 1~
Current $I_{max}$	2,5 A
Ambient temperature $t_A$	65 °C
Conveyed medium temperature $t_M$	65 °C
Speed Control	V
Motor protection	TAE
Insulation class motor	F
Weight	35,6 kg
Number of poles	4
IP motor	IP54
IP terminal box	IP44
IP complete unit	IPX4
Min. operating temperature	-25 °C



1:10 A4 mm

**ruck**<sup>EU</sup>  
VENTILATOREN

Protection Mark  
according to ISO16016

General tolerances  
DIN ISO 2768-c

**KVRI06035E431+**

ruck Ventilatoren  
Max-Planck-Str. 5  
D-97944 Boxberg

Drawn: d.ursu  
Created: d.ursu  
Changed: d.ursu

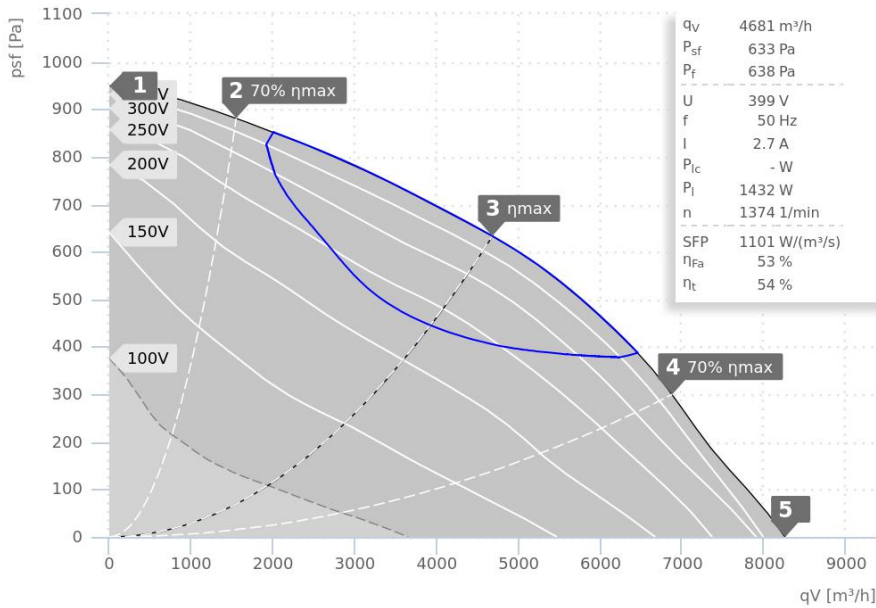
03.02.2015  
03.02.2015  
21.05.15

**131407 00**

**VENTAS**  
VENTILATORER

# DATA SHEET

KVRI 8050 D4 30 | 131417



**SALE OUT**

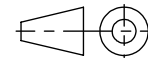
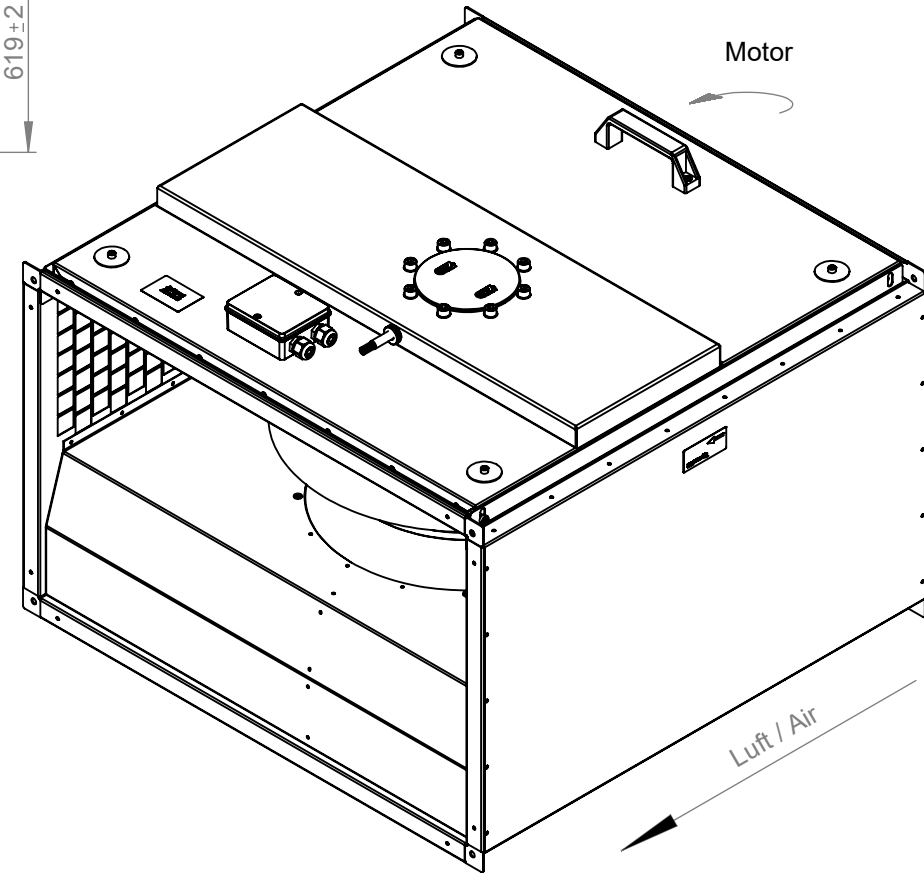
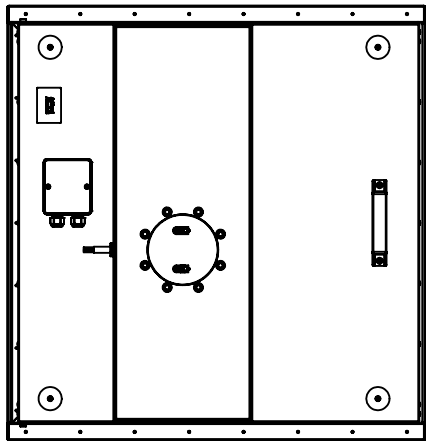
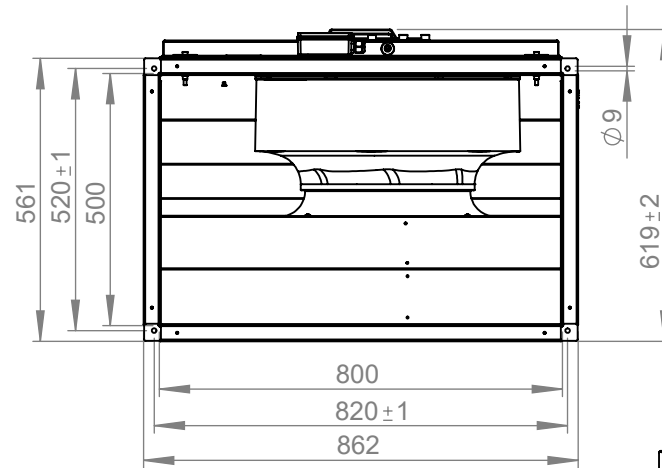
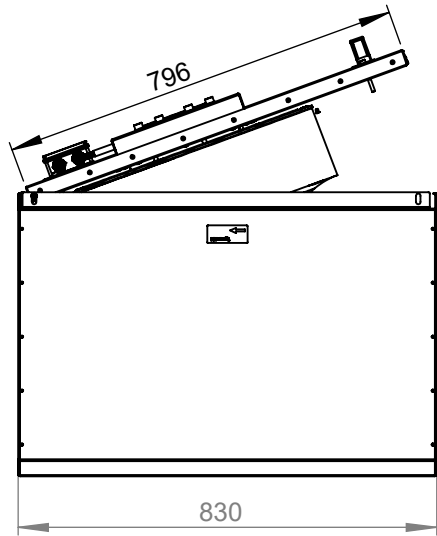
- Backward curved centrifugal fan
- Galvanized metal housing
- Speed controllable
- Swing-out fan unit
- Sound insulated

— ErP compliant range

Operating Point		1	2	3	4	5
Current I	A	1,7	2,1	2,7	2,7	2,5
Power consumption P <sub>i</sub>	W	605	946	1433	1423	1251
Rotation speed n	1/min	1449	1421	1375	1381	1398
SWL inlet L <sub>WA5</sub>	dB(A)	72	70	67	71	76
SWL outlet L <sub>WA6</sub>	dB(A)	82	81	79	83	86
SWL housing break out L <sub>WA2</sub>	dB(A)	68	66	63	66	68

Sound power (L <sub>W</sub> ) dB(A)		Medium Frequency Band								
		Σ	63	125	250	500	1k	2k	4k	8k
Inlet	L <sub>WA5</sub>	67	48	63	59	60	58	58	56	50
Outlet	L <sub>WA6</sub>	79	49	69	72	74	74	70	65	59
Housing radiation	L <sub>WA2</sub>	63	46	59	56	54	54	51	49	45

KVRI 8050 D4 30   131417	
Voltage U <sub>N</sub>	400 V 3~
Current I <sub>max</sub>	3,3 A
Ambient temperature t <sub>A</sub>	55 °C
Conveyed medium temperature t <sub>M</sub>	55 °C
Speed Control	V
Motor protection	TAE
Insulation class motor	F
Weight	77,5 kg
Number of poles	4
IP motor	IP54
IP terminal box	IP44
IP complete unit	IPX4
Min. operating temperature	-30 °C



1:10 A4 mm

**ruck**<sup>EU</sup>  
VENTILATOREN

ruck Ventilatoren  
Max-Planck-Str. 5  
D-97944 Boxberg

Protection Mark  
according to ISO16016

Drawn: d.ursu  
Created: d.ursu  
Changed: d.ursu

General tolerances  
DIN ISO 2768-c

29.01.2015  
29.01.2015  
21.05.15

**KVRI08050D430+**

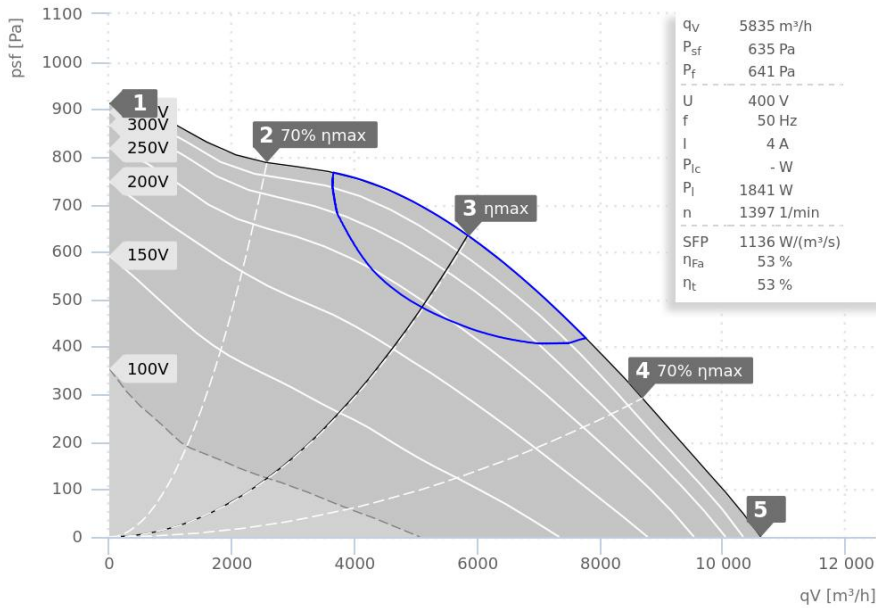
**131417 00**

**VENTAS**  
VENTILATOREN

# DATA SHEET

**ruck**.eu  
VENTILATOREN

KVRI 10050 D4 30 | 131422



**SALE OUT**

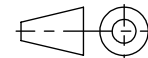
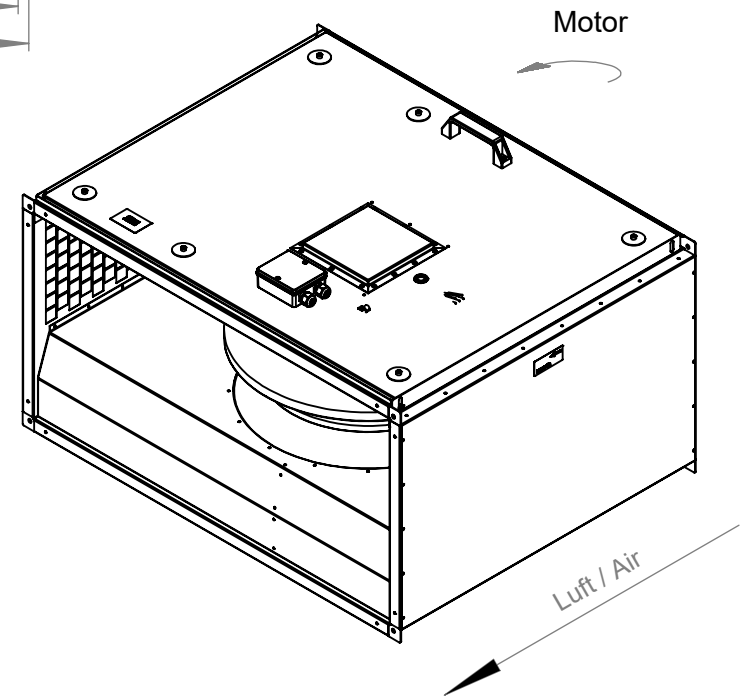
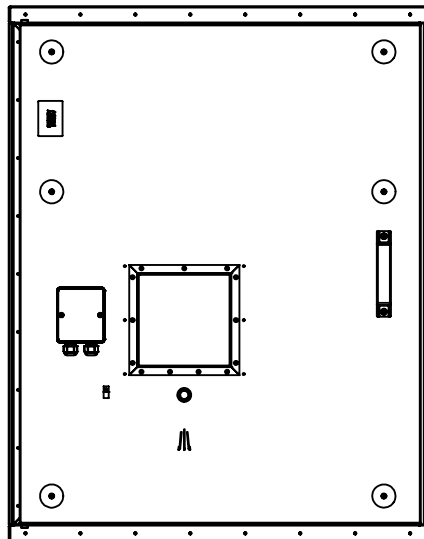
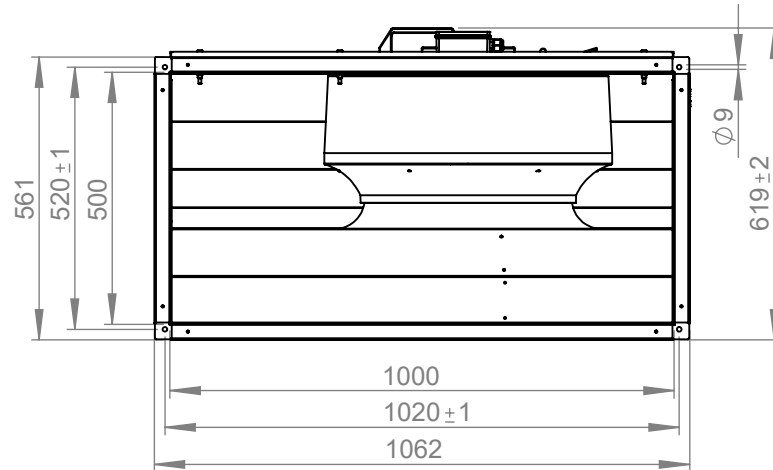
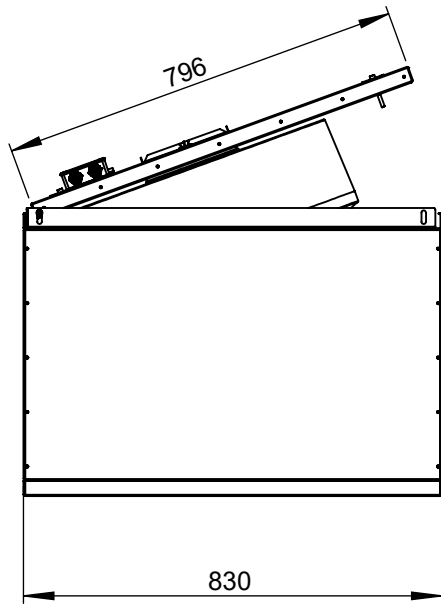
- Backward curved centrifugal fan
- Galvanized metal housing
- Speed controllable
- Swing-out fan unit
- Sound insulated

— ErP compliant range

Operating Point		1	2	3	4	5
Current I	A	2,8	3,6	4,0	4,0	3,7
Power consumption P <sub>i</sub>	W	902	1480	1843	1785	1546
Rotation speed n	1/min	1443	1420	1397	1405	1419
SWL inlet L <sub>WA5</sub>	dB(A)	75	76	74	78	81
SWL outlet L <sub>WA6</sub>	dB(A)	85	84	83	87	90
SWL housing break out L <sub>WA2</sub>	dB(A)	71	69	68	72	74

Sound power (L <sub>W</sub> ) dB(A)		Medium Frequency Band								
		Σ	63	125	250	500	1k	2k	4k	8k
Inlet	L <sub>WA5</sub>	74	55	71	65	69	61	61	56	50
Outlet	L <sub>WA6</sub>	83	54	76	74	77	77	73	67	59
Housing radiation	L <sub>WA2</sub>	68	51	66	63	57	51	50	47	40

KVRI 10050 D4 30   131422	
Voltage U <sub>N</sub>	400 V 3~
Current I <sub>max</sub>	4,6 A
Ambient temperature t <sub>A</sub>	60 °C
Conveyed medium temperature t <sub>M</sub>	60 °C
Speed Control	V
Motor protection	TAE
Insulation class motor	F
Weight	93,5 kg
Number of poles	4
IP motor	IP54
IP terminal box	IP44
IP complete unit	IPX4
Min. operating temperature	-30 °C



1:15 A4 mm

**ruck**<sup>EU</sup>  
VENTILATOREN

Protection Mark  
according to ISO16016

General tolerances  
DIN ISO 2768-c

**KVRI10050D430+**

ruck Ventilatoren  
Max-Planck-Str. 5  
D-97944 Boxberg

Drawn: d.ursu  
Created: d.ursu  
Changed: d.ursu

28.01.2015  
28.01.2015  
21.05.15

**131422 00**

**VENTAS**  
VENTILATORER